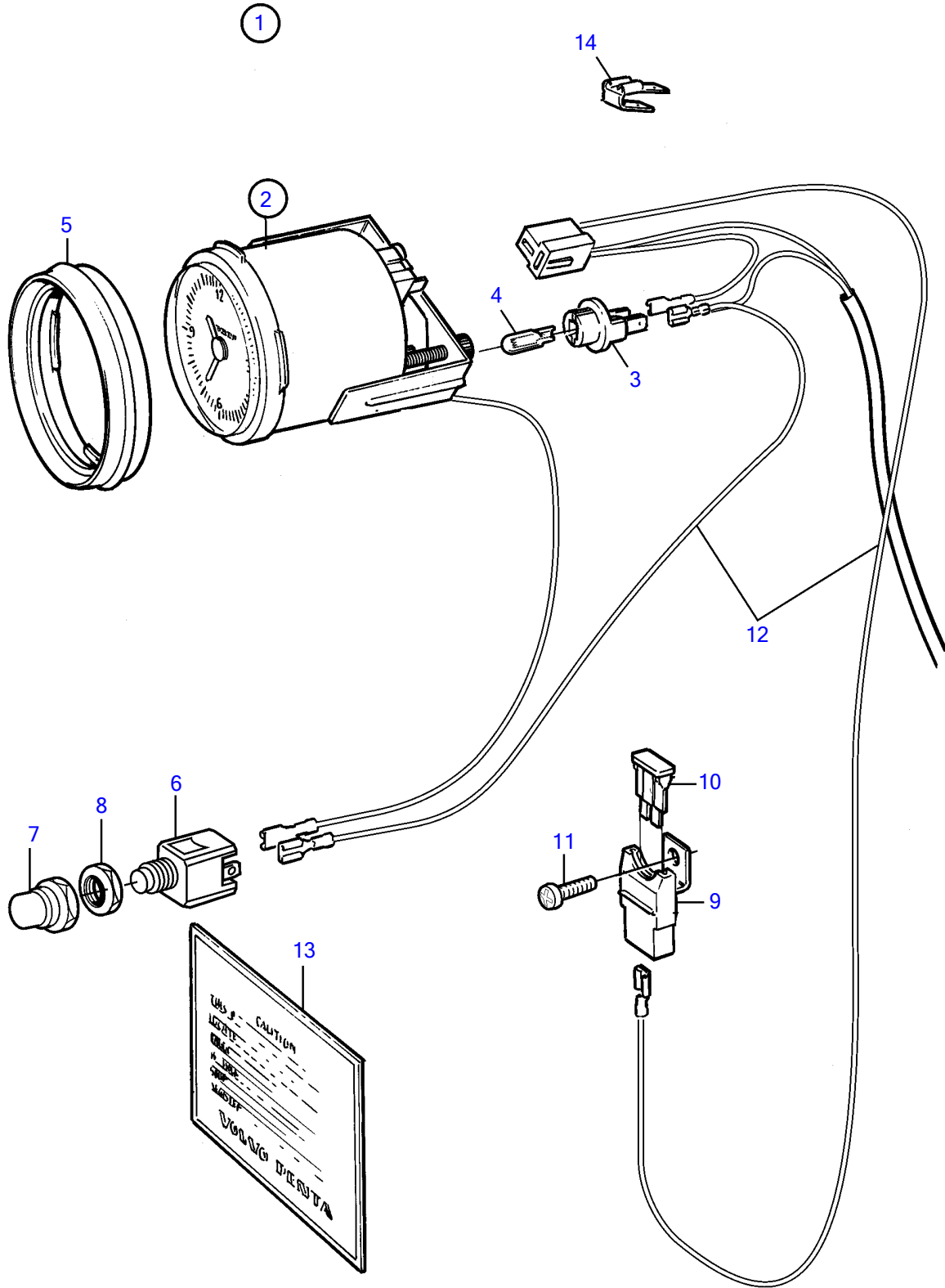


AD31D, AD31XD, TAMD31D, TMD31D



AD31D, AD31XD, TAMD31D, TMD31D

REF	PART NO.	QTY	DESCRIPTION	NOTES
1	1140597	1	Clock kit	
2	856814	1	• Clock	
3	863945	1	• • Lamp socket	
4	863946	1	• • Bulb	
5	858643	1	• Front ring	
6	828584	1	• Toggle switch	
7	828586	1	• Nut	
8	872407	1	• Hexagon nut	
9	1323312	1	• Insulator	
10	981405	1	• Fuse	3A (969115)
11	972070	1	• 6 point socket screw	
12	872492	1	• Cable kit	
13	841242	1	• Label	
14	943950	1	• Switch	