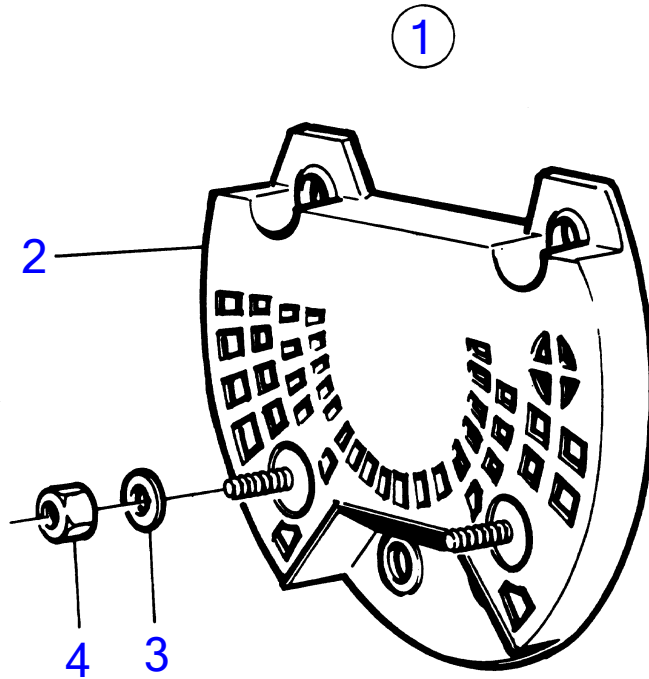


AD31D, AD31XD, TAMD31D, TMD31D



10164

AD31D, AD31XD, TAMD31D, TMD31D

REF	PART NO.	QTY	DESCRIPTION	NOTES
1	858968	1	Junction block	Replaced by 873120
2		1	• Charge distributor	
3	941906	2	• Spring washer	
4	955781	2	• Hexagon nut	