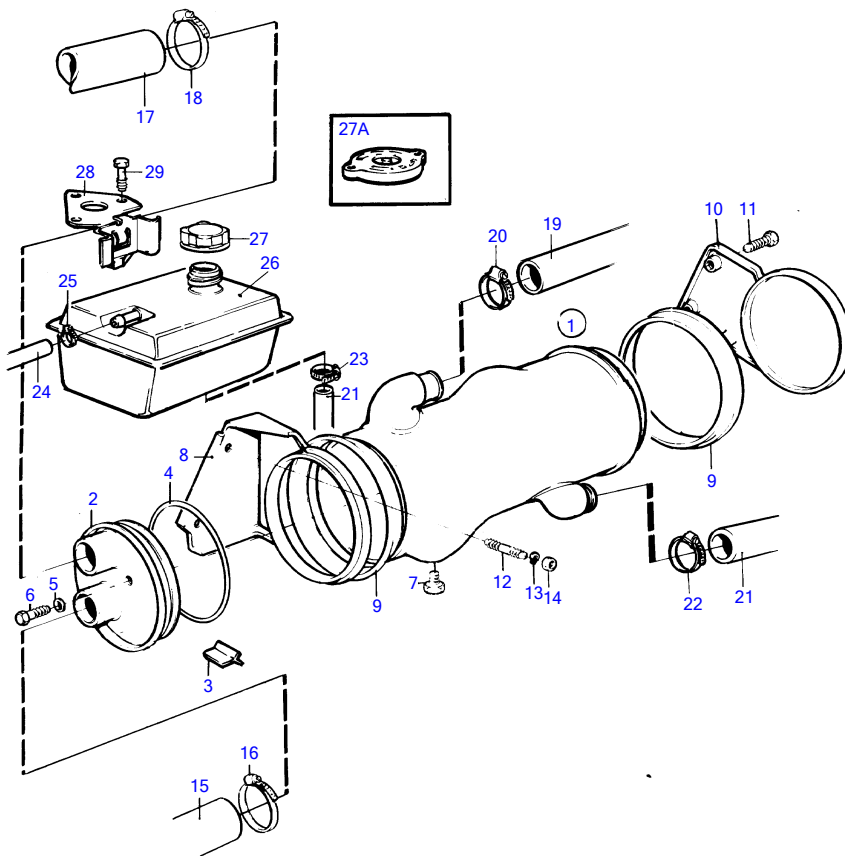


TMD31D



15434

TMD31D

REF	PART NO.	QTY	DESCRIPTION	SEE SEC.	NOTES
1	861259	1	Heat exchanger		
2	861308	1	• Cardboard tube		
3	860127	3	• Sealing strip		
4	925067	1	• O-ring		
5	964106	1	• Gasket		
6	963567	1	• Hexagon screw		
7	861551	1	• Plug		(861116)
8	838729	1	Bracket		
9	838733	2	Adapter		
10	838728	1	Bracket		
11	965185	3	Flange screw		
12	953003	1	Stud		L=130mm
	953007	1	Stud		L=150mm
13	941908	2	Spring washer		
14	971095	2	Flange nut		
15	861320	1	Hose		Heat exchanger-oil cooler.
16	943475	1	Hose clamp		
17	944386	X	Rubber hose		Heat exchanger-exhaust riser., L=370mm
18	943475	1	Hose clamp		
19	861111	1	Hose		Thermostat housing-heat exchanger.
20	943477	1	Hose clamp		
21	861279	1	Hose		Heat exchanger-expansion tank-water pump.
22	943477	1	Hose clamp		
23	943474	1	Hose clamp		
24	942700	X	Hose		L=300mm
25	945652	1	Hose clamp		
26	861105	1	Expansion tank		
			• Bulletin P-18-4-4	P-18-4-4-EN	Coolant Recommendations for Gas Engines
			• Bulletin p-26-1-7	p-26-1-7-EN	Coolant Capacity, FWC Gas Engines
27	1357775	1	Pressure cap		
27A	845587	1	Filler cap		When separate expansion tank is being used.
28	861108	1	Bracket		
29	946544	3	Flange screw		