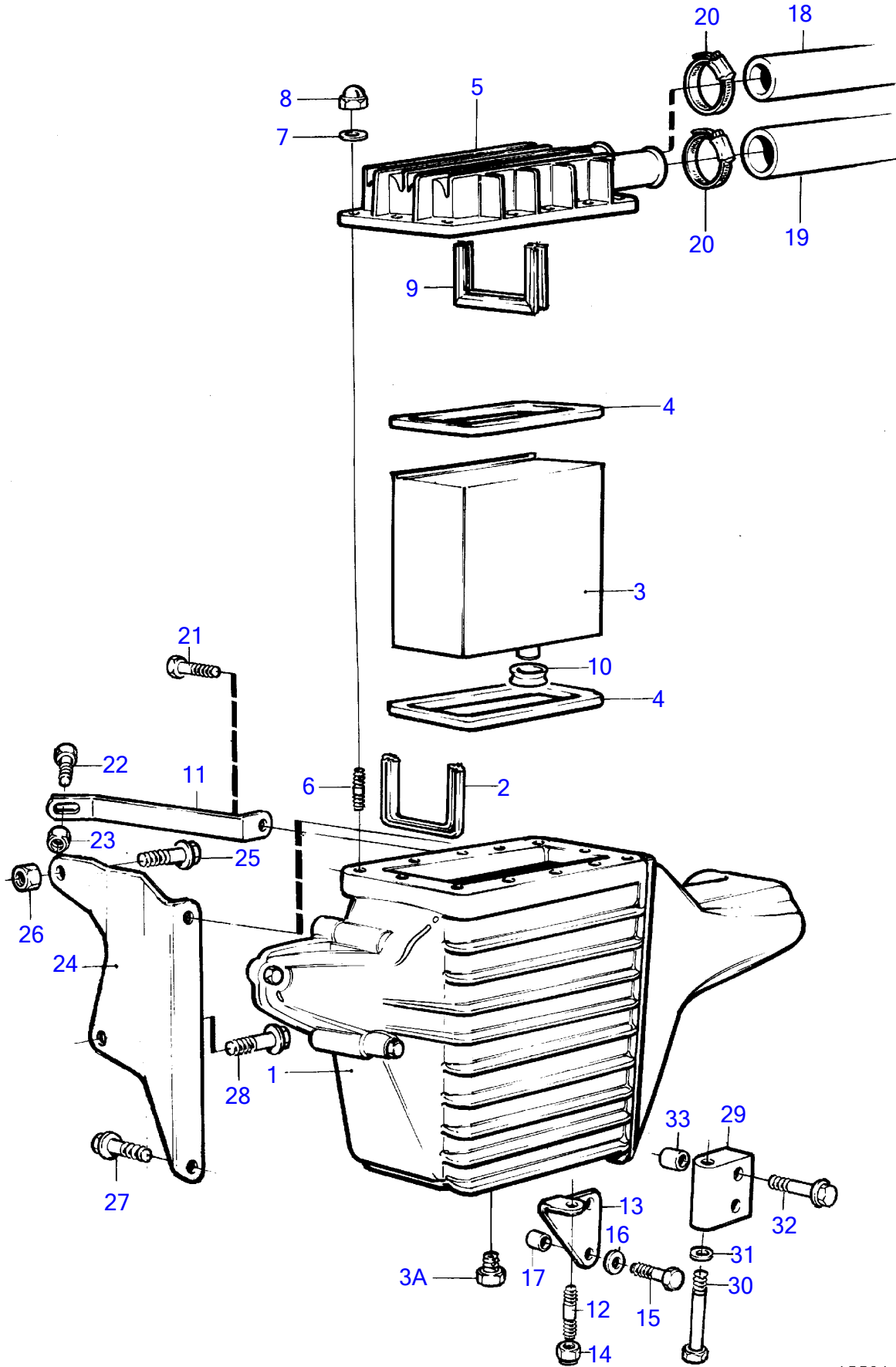


AD31D



AD31D

REF	PART NO.	QTY	DESCRIPTION	NOTES
1	861656	1	Housing	(859354)
2	838831	1	Sealing strip	
3	861553	1	Insert	(861049)
3A	861551	1	• Plug	(861116)
4	860920	2	Gasket	
5	860409	1	Cover	
6	953036	12	Stud	
7	955893	12	Washer	
8	968458	12	Flange cap nut	
9	847573	1	Sealing strip	
10	858979	1	Sealing ring	
11	858967	1	Bracket	
12	953041	1	Stud	
13	858965	1	Bracket	
14	968862	1	Nut	
15	965226	2	Flange screw	
16	955897	2	Washer	
17	861554	2	Spacer	(1572568)
18	860644	1	Hose	After cooler-oil cooler.
19	860645	1	Hose	Heat exchanger-after cooler.
20	943476	2	Hose clamp	
21	946440	1	Flange screw	
22	946934	1	Flange screw	
23	945407	1	Flange nut	