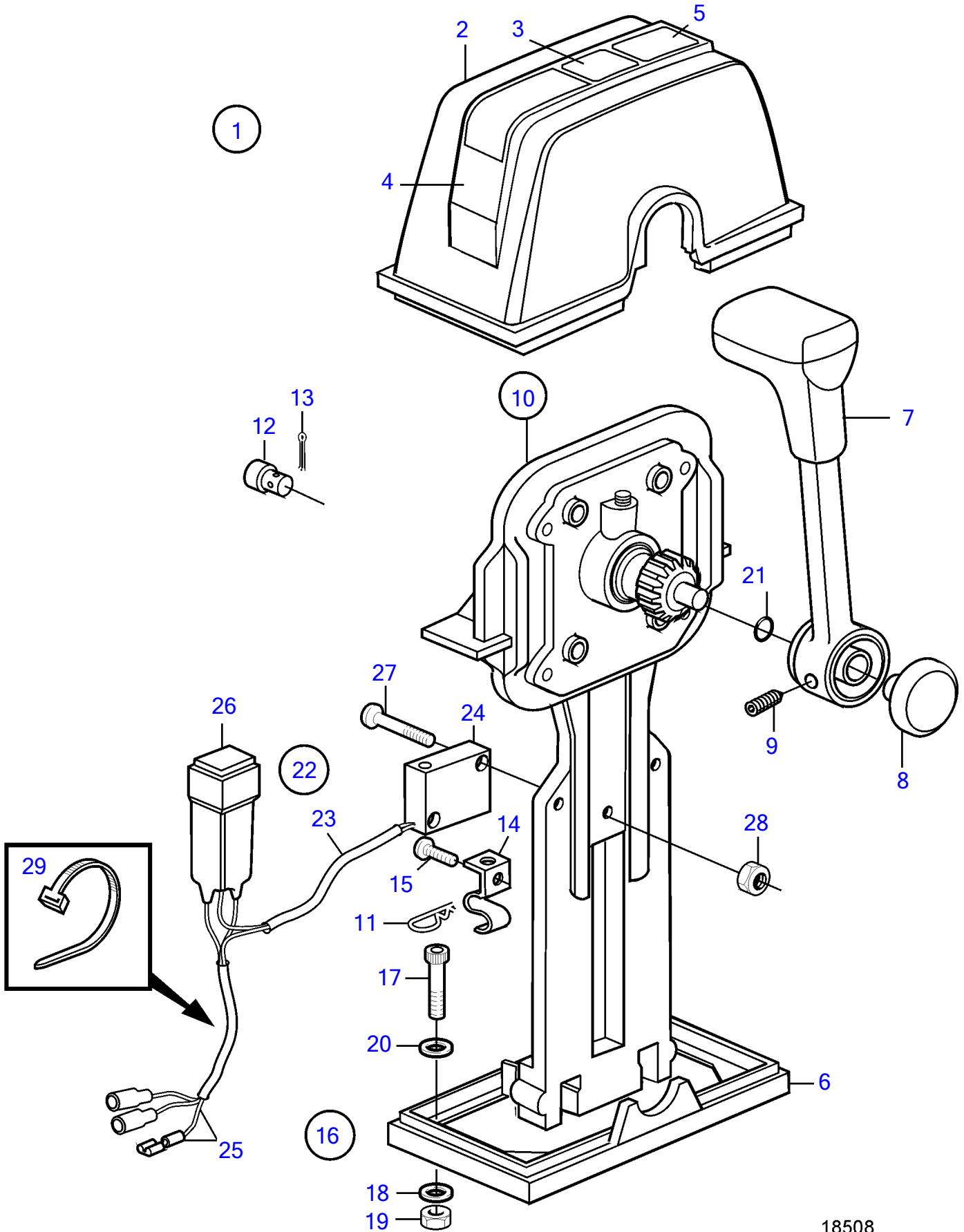


AD31D, AD31XD, TAMD31D, TMD31D



AD31D, AD31XD, TAMD31D, TMD31D

REF	PART NO.	QTY	DESCRIPTION	SEE SEC.	NOTES
1	853168	1	Mounting kit		For single installation.
2	1140046	1	• Cover		
3	851896	2	• • Decal		
4	(851892)	1	• • Crossbar		Obsolete part
5	(851898)	1	• • Decal		Obsolete part
6	839474	1	• • Plate		
7	852347	1	Hand lever		
			•		
			•	266	
8		1	• Push button		Included in complete handle.
9		1	• Screw		Included in complete handle.
10	851600	1	Control		
11	853423	1	• Retainer		
12	852924	1	• Clip		
13	839664	1	• Screw		
14	839638	1	• Cube		
15	17253	1	• Split pin		
16		1	Screw kit		
17	947671	4	• Hex. socket screw		
18	960138	4	• Washer		
19	955780	4	• Hexagon nut		
20	940090	4	• Washer		
21	925058	1	• O-ring		
22	855352	1	Neutral position con		
23	(839619)	1	• Cable kit		Obsolete part
24	850200	1	• • Toggle switch		
25		X	• • cables and terminals	1963	
26	876037	1	• Relay kit		
27	946177	2	• Cross recessed screw		
28	947536	2	• Hexagon nut		
29	948211	X	• Cable tie		