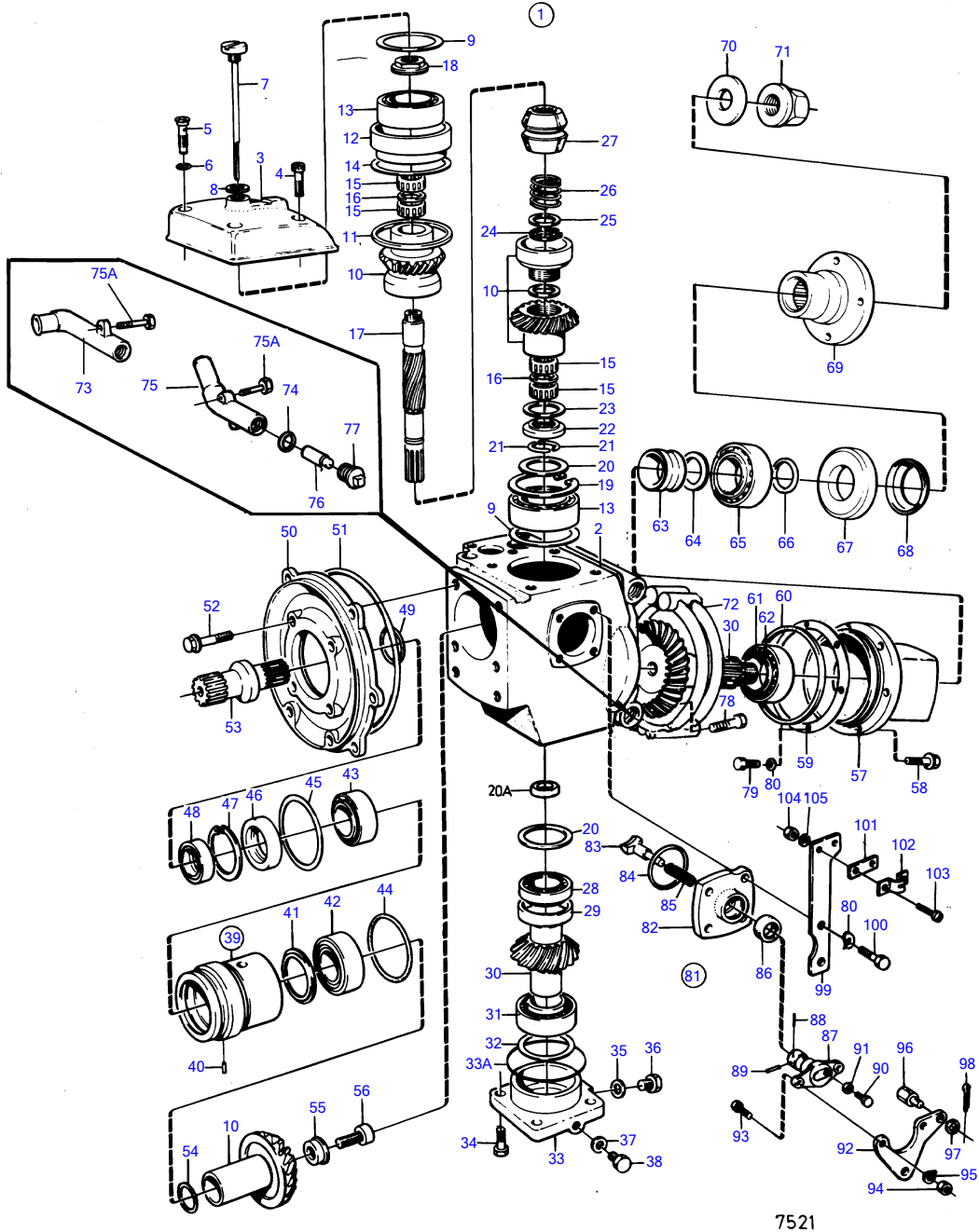


MD30A, TAMD30A, TMD30A



7521

MD30A, TAMD30A, TMD30A

REF	PART NO.	QTY	DESCRIPTION	SEE SEC.	NOTES
1	852502	1	Reversing gear		RATIO 1,93:1
			Bulletin 48-03	48-03-EN	Reverse Gear
2	851673	1	• Gear housing		
3	832667	1	• Gear housing cover		(832668)
4	956585	3	• Hex. socket screw		
5	814643	1	• Hollow screw		
6	955989	1	• O-ring		
7	839351	1	• Oil dipstick		
8	897682	1	• Gasket		
9	943866	X	• Shim		TH = 0.1mm
	943867	X	• Shim		TH = 0.2mm
	943868	X	• Shim		TH = 0.4mm
10	839027	1	• Gear set		
11	832669	1	• Gasket		
12	832644	1	• Bearing sleeve		
13	853542	2	• Ball bearing		(183729)
14	946179	X	• Shim		TH = 0.1mm
	943870	X	• Shim		TH = 0.2mm
15	181359	4	• Needle roller assemb		
16	897308	2	• Spacer ring		OBSOLETE PART
17	852371	1	• Spindle		
18		1	• NUT		
	839332	X	• • Nut		ALT TH = 2,00 MM
	839333	X	• • Nut		ALT TH = 2,37 MM
	839334	X	• • Nut		ALT TH = 2,65 MM
19	850433	1	• Snap ring		
20	944522	X	• Shim		TH = 0,05 MM
	42981	X	• Shim		TH = 0.1mm
	42980	X	• Shim		TH = 0.35mm
21	897312	2	• Lock ring		
22	850422	1	• Spacer ring		
23	852433	1	• Wear washer		
24	951077	1	• Snap ring		
25	26411	1	• Shim		
26	813970	1	• Spring		
27	852548	1	• Sliding sleeve, sliding sleeve		PZ-22152
	852949	1	• • Sliding sleeve		PZ 22153-
28	181301	1	• • Inner ring		
29	181302	1	• • Cup		
30	852609	1	• • Drive gear set		
31	184649	1	• • Roller bearing		
32	967352	X	• • Shim		TH = 0,05 MM
	941823	X	• • Shim		TH = 0.1mm
	967351	X	• • Shim		TH=0,15mm
	941824	X	• • Shim		TH = 0.2mm
	967557	X	• • Shim		TH = 0.3mm
	941825	X	• • Shim		TH = 0.4mm
33	852373	1	• • Bearing cover		OBSOLETE PART
33A	925257	1	• • O-ring		
34	946472	4	• • Flange screw		
35	947084	1	• • Gasket		(957175)
36	960629	1	• • Plug		
37	955974	1	• • O-ring		
38	814179	1	• • Plug		
39	875425	1	• • Bearing box		
40	951940	1	• • • Spring pin		
41	897772	1	• • • Oil deflector		EARLY TYPE
42	183668	1	• • • Roller bearing		
43	183247	1	• • • Roller bearing		
44	925256	2	• • O-ring		
45	941826	X	• • Shim		TH = 0,05 MM
	941827	X	• • Shim		TH = 0.2mm
	948230	X	• • Shim		TH = 0.35mm

MD30A, TAMD30A, TMD30A

REF	PART NO.	QTY	DESCRIPTION	SEE SEC.	NOTES
46	839253	1	• • Sealing ring		
47	914538	1	• • Snap ring		
48	832675	1	• • Washer		
49	956000	1	• • O-ring		
50	850276	1	• • Intermediate section		OBSOLETE PART
51	925257	1	• • O-ring		
52	965185	6	• • Flange screw		
53	850275	1	• • Stub axle		
54	943871	X	• • Shim		TH = 0,05 MM
	943872	X	• • Shim		TH = 0.1mm
	943873	X	• • Shim		TH = 0.2mm
55	839013	1	• • Washer		
56	851293	1	• • Screw		OBSOLETE PART
57	851678	1	• • Bearing housing		OBSOLETE PART
58	946671	6	• • Flange screw		
59	851496	X	• • Adjusting washer		TH = 0.1mm
	851495	X	• • Adjusting washer		TH=0,15mm
	851494	X	• • Adjusting washer		TH = 0.35mm, OBSOLETE PART
60	925267	1	• • O-ring		
61	183328	1	• • Cup		
62	183327	1	• • Inner ring		
63	852696	1	• • Pretensioning sleeve		
64	852184	X	• • Shim		TH = 0,05 MM
65	183668	1	• • Roller bearing		
66	925063	1	• • O-ring		
67	959026	1	• • Sealing ring		
68	944530	1	• • Sealing ring		
69	853481	1	• • Flange		(852368)
70	850471	1	• • Washer		
71	947855	1	• • Flange lock nut		
72	851786	2	• • Oil cooler		OBSOLETE PART
73	852007	1	• • Connection pipe		OBSOLETE PART
74	960169	4	• • O-ring		
75	851730	1	• • End plate		OBSOLETE PART
75A	959207	4	• • Hex. socket screw		
76	838929	2	• • Anode		(804107)
77	838928	2	• • Plug		(800475)
78	959207	4	• • Hex. socket screw		
79	942000	2	• • Hex. socket screw		
80	941906	8	• • Spring washer		
81	839504	1	• • Shift mechanism		
82	839505	1	• • • Bearing housing		
83	814603	1	• • • Dog		
84	925093	1	• • • O-ring		
85	814184	1	• • • Spring		
86	958838	1	• • • Sealing ring		
87	897816	1	• • • Eccentric piston		
			Bulletin P-44-1-7	P-44-1-7-EN	Shift mechanism, eccentric piston
88	951924	1	• • • Spring pin		
89	942871	1	• • • Clevis pin		
90	897711	1	• • • Screw		
91	897871	X	• • • Shim		TH = 0.2mm
92	852363	1	• • Intermediate lever		
93	955270	2	• • Hexagon screw		
94	955781	2	• • Hexagon nut		
95	955948	2	• • Toothed washer		
96	804312	1	• • Cube		
97	955892	1	• • Washer		
98	907834	1	• • Split pin		(17276)
99	850350	1	• • Cable attachment		OBSOLETE PART
100	955273	4	• • Hexagon screw		
101	819068	1	• • Washer		
102	21471054	1	• • Bracket		

