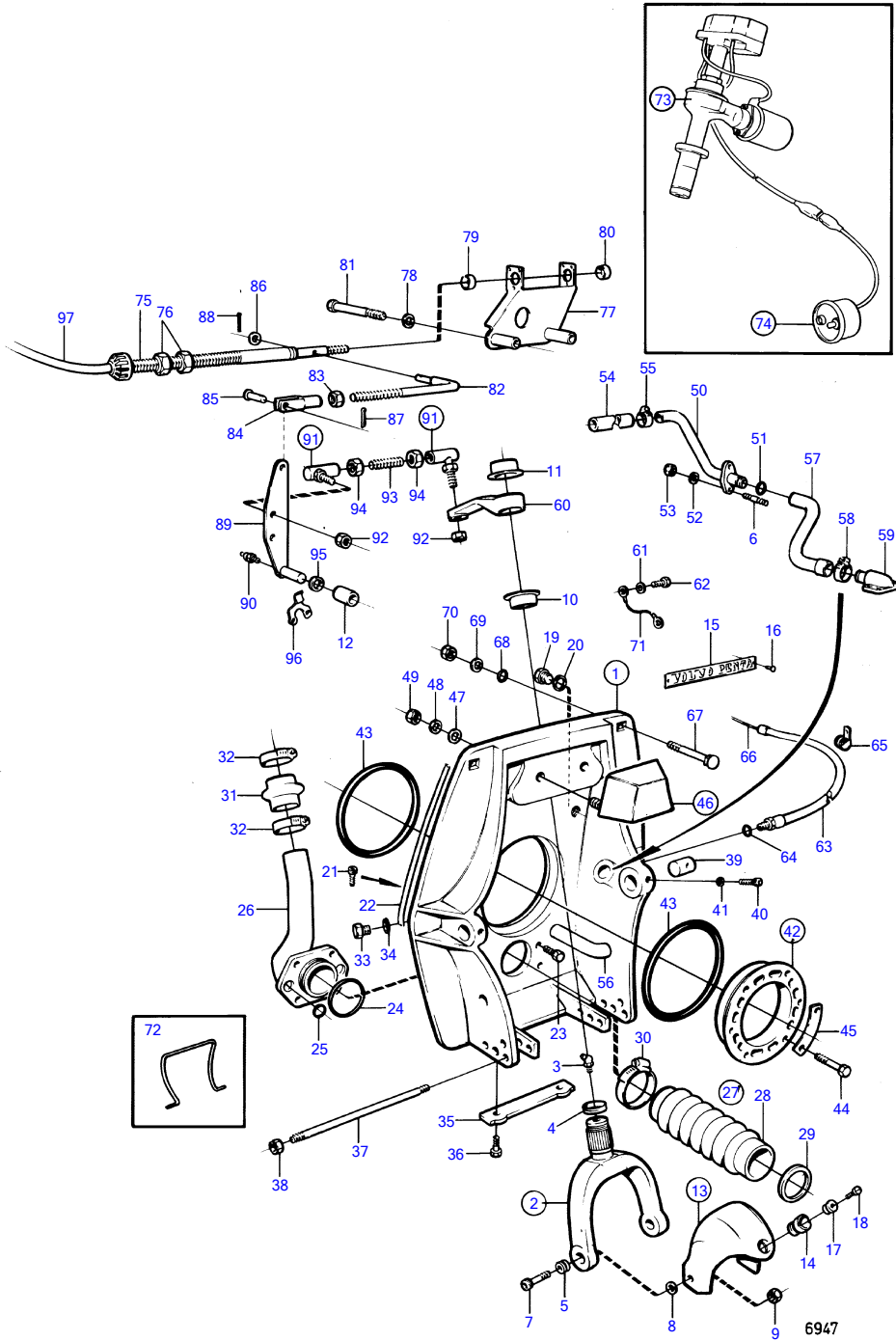


AQAD30A



6

## AQAD30A

REF	PART NO.	QTY	DESCRIPTION	SEE SEC.	NOTES
1	875672	1	Shield		
2	839441	1	• Steering yoke		
3	914169	1	• • Lubricating nipple		
4	839195	1	• • Ring		
			Bulletin 48-23	48-23-EN	Seal Ring
5	814640	2	• • Bushing		
6	941872	2	• Stud		
7	897798	2	• Shoulder screw		
8	897244	2	• Washer		
9	943152	2	• Nut		
10	853861	1	• Bushing		(832651)
			Bulletin 48-23	48-23-EN	Seal Ring
11	853862	1	• Bushing		(832652)
			Bulletin 48-23	48-23-EN	Seal Ring
12	850653	1	• Bushing		
13	851267	1	• Protective helmet		
14	853048	1	• • Bushing		(851262)
15	832608	1	• Plate		
16	804269	2	• Drive screw		
17	852705	1	Pivot pin		
18	941807	2	Hex. socket screw		
19	897744	1	Plug		OBSOLETE PART
20	897745	1	Gasket		
21	956568	2	Hex. socket screw		SEE GROUP 9
22	897726	1	Sealing strip		
23	959967	4	Hexagon screw		
24	925256	1	O-ring		
25	925055	4	O-ring		
26	842962	1	Exhaust grommet		
27	875828	1	Bellows kit		
28		1	• RUBBER BELLOW		
29		9	• SEAL RING		
30	961675	2	Hose clamp		
31	843228	1	Exhaust hose		SEE GROUP 2B
32	943483	2	Hose clamp		SEE GROUP 2B
33	897744	1	Plug		OBSOLETE PART
34	897745	1	Gasket		
35	832598	1	Zinc anode		
36	959438	2	Hex. socket screw		
37	814301	1	Adjusting pin		
38	814357	2	Flange nut		
39	853175	2	Pivot pin		(897831)
40	941873	2	Hex. socket screw		
41	941670	2	Washer		
42	843626	1	Mounting kit		
43	813967	2	• Rubber ring		
44	191844	6	• Hexagon screw		
45	806624	3	• Striker plate		
46	875531	1	Rubber cushion		
47	832565	2	• Gasket		
48	940097	2	• Washer		
49	950364	2	• Lock nut		
50	850729	1	Grommet		
51	925063	1	O-ring		
52	955893	2	Washer		
53	950352	2	Lock nut		
54	941799	X	Hose		L = 400 MM
55	961670	2	Hose clamp		
56	843235	2	Exhaust pipe		
57	875822	1	Hose kit		(897599)
58	853548	2	Hose clamp		(961668)
59		1	HOSE NIPPLE		SEE GROUP 4C
60	850488	1	Spindle arm		

7744050-44-18190

6947

Upd:2010-07-01

## AQAD30A

REF	PART NO.	QTY	DESCRIPTION	SEE SEC.	NOTES
61	940097	1	Washer		
62	955537	1	Hexagon screw		
63	839091	1	Protecting hose		
64	897745	1	Gasket		
65	952635	1	Clamp		
66		X	CONTROL CABLE		SEE GROUP 9
67	943426	6	Screw		
68	850418	6	O-ring		
69	190878	6	Washer		
70	940176	6	Hexagon nut		
71		X	CABLES AND TERMINALS		SEE GROUP 3
	851002	1	Cable		SEE GROUP 9, OBSOLETE PART
72	897824	1	Transport lock		
73	850957	1	Electromechanical li		REPL BY 853520
			• COMPONENTS		SEE GROUP 9
	853520	1	Electromechanical li		OBSOLETE PART
			• COMPONENTS		SEE GROUP 9
74	850375	1	Instrument panel		SEE GROUP 9
			• COMPONENTS		
75	850771	1	Anchorage		
76	850778	4	Nut		
77	850958	1	Guide bracket		OBSOLETE PART
78	942336	2	Spring washer		
79	850960	1	Bushing		OBSOLETE PART
80	850959	1	Bushing		OBSOLETE PART
81	955541	2	Hexagon screw		L = 76 MM
82	850478	1	Link rod		L = 318 MM, OBSOLETE PART
83	940154	1	Hexagon nut		
84	956511	1	Fork		OBSOLETE PART
85	913158	1	Clevis pin		
86	940097	1	Washer		
87	907856	1	Split pin		
88	964960	1	Split pin		
89	851385	1	Link arm		OBSOLETE PART
90	914169	1	Lubricating nipple		
91	875772	2	Ball joint kit		OBSOLETE PART
92	851326	2	• Nut		
93	850736	1	Control rod		
94	940152	2	Hexagon nut		
95	955906	1	Washer		
96	850489	1	Stop arm		OBSOLETE PART
97		X	STEERING CABLE		SEE GROUP 6