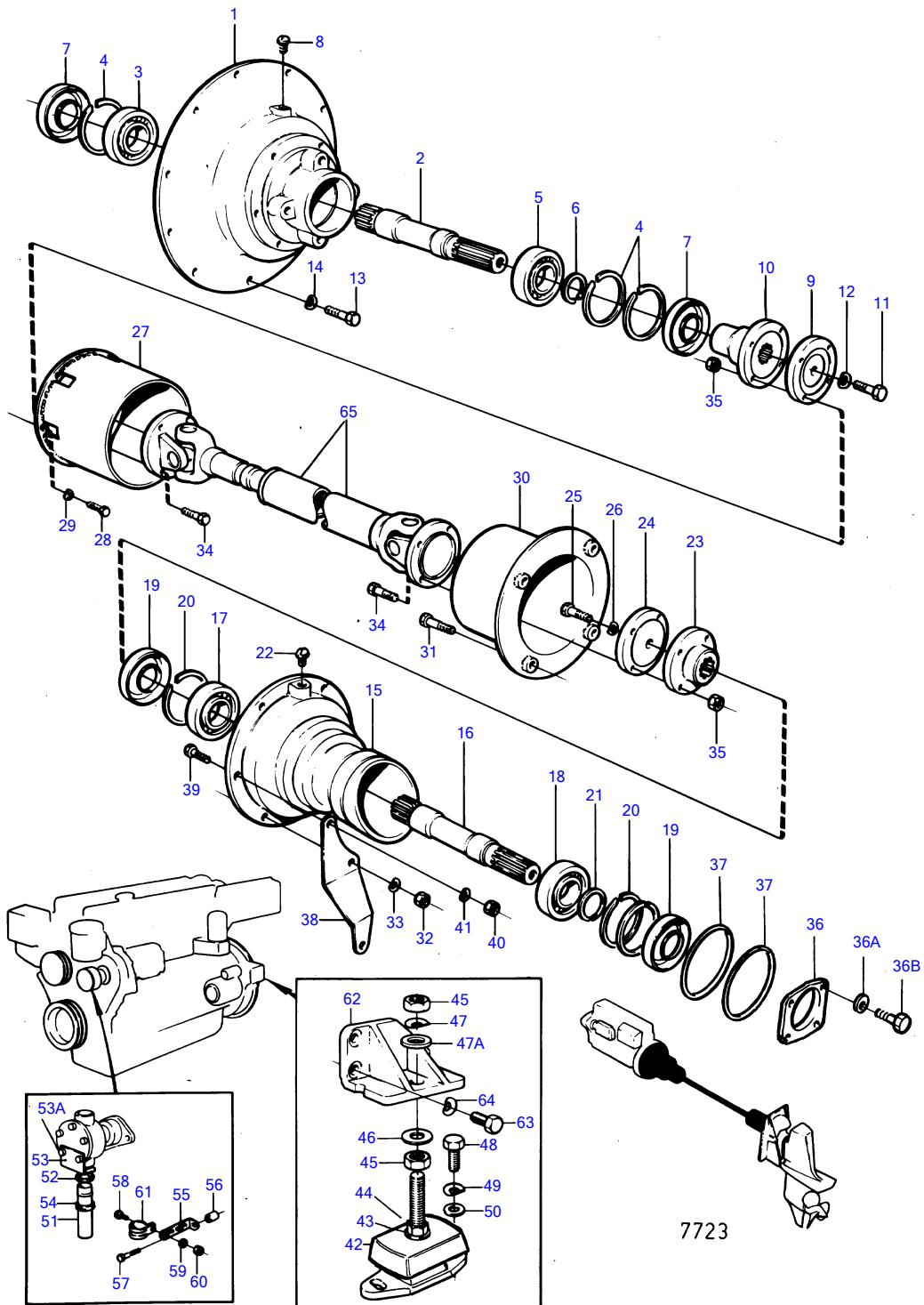


AQAD30A



## AQAD30A

REF	PART NO.	QTY	DESCRIPTION	SEE SEC.	NOTES
1	838479	1	Flywheel housing		OBSOLETE PART
2	838424	1	Spindle		
3	181105	1	Ball bearing		
4	914533	3	Snap ring		
5	11013	1	Ball bearing		
6	914462	1	Snap ring		
7	958860	2	Sealing ring		
8	804262	1	Plug		
9	838423	1	Spacer flange		
10	838474	1	Clutch flange		OBSOLETE PART
11	955318	1	Hexagon screw		
12	942336	1	Spring washer		
13	955319	11	Hexagon screw		
14	941908	11	Spring washer		
15	839482	1	Intermediate housing		
16	838424	1	Spindle		
17	181105	1	Ball bearing		
18	11013	1	Ball bearing		
19	958860	2	Sealing ring		
20	914533	3	Snap ring		
21	914462	1	Snap ring		
22	804262	1	Plug		
23	838423	1	Spacer flange		
24	838422	1	Clutch flange		
25	955318	1	Hexagon screw		
26	942336	1	Spring washer		
27	838475	1	Protecting casing		OBSOLETE PART
28	955535	6	Hexagon screw		
29	942336	6	Spring washer		
30	838421	1	Protecting casing		OBSOLETE PART
31	955549	4	Hexagon screw		
32	940157	4	Hexagon nut		
33	941909	4	Spring washer		
34	945997	8	Hexagon screw		
35	945989	8	Lock nut		
36	838934	1	Seal flange		OBSOLETE PART
36A	941908	4	Spring washer		
36B	955315	4	Hexagon screw		
37	858464	2	Rubber ring		
38	838935	1	Bracket		P
	838936	1	Bracket		S.B
39	940134	2	Hexagon screw		
40	940157	2	Hexagon nut		
41	955897	2	Washer		
42	846764	4	Rubber element		
			Bulletin 44-26	44-26-EN	Reinforced Rubber Cushion
43	955900	4	• Washer		
44		4	• BOLT		
45	955805	8	Hexagon nut		
46	191940	6	Washer		
47	941912	4	Spring washer		
47A	955900	2	Washer		
48	955321	8	Hexagon screw		
49	941908	8	Spring washer		
50	960148	8	Washer		
51	847105	1	Pipe		
52	949658	1	O-ring		(925061)
53	847107	1	Lock brace		
53A	963545	2	Hexagon screw		
54	847108	1	Pipe retainer		
55	965561	1	Bracket		
56	842350	1	Spacer sleeve		
57	955300	1	Hexagon screw		

7744050-44-18189

7723

Upd:2010-07-01

AD30A, AQAD30A, MD30A, TAMD30A, TMD30A, AD30, AQAD30, MD30, TAMD30, TMD30

**VOLVO**  
**PENTA**

AQAD30A

REF	PART NO.	QTY	DESCRIPTION	SEE SEC.	NOTES
58	955271	1	Hexagon screw		
59	955892	1	Washer		
60	955781	1	Hexagon nut		
61	952641	1	Clamp		
62	829515	1	Engine bracket		P
	829516	1	Engine bracket		S.B
63	955341	6	Hexagon screw		
64	940143	6	Toothed washer		
65		X	UNIVERSAL JOINT SHAFT		