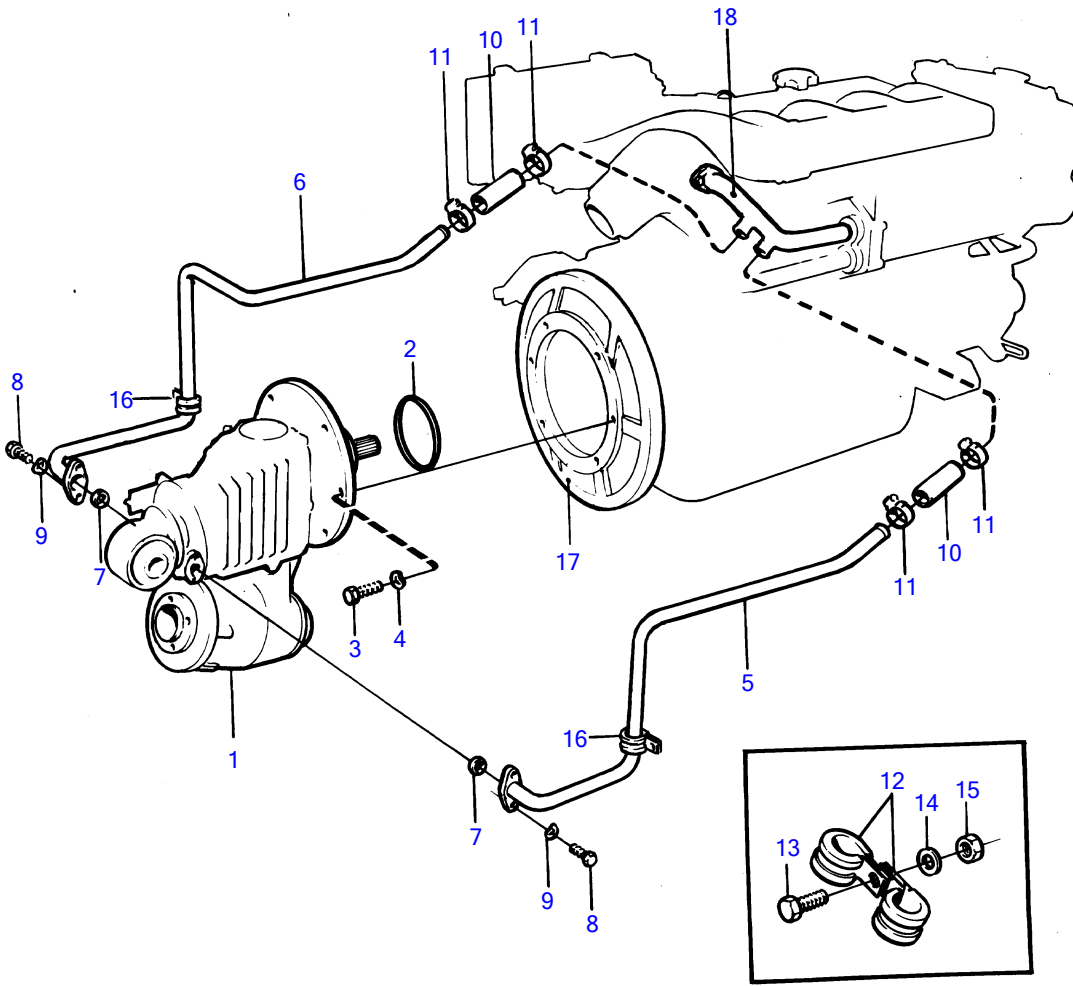


MD30A



7065

## MD30A

REF	PART NO.	QTY	DESCRIPTION	NOTES
1		1	V-DRIVE UNIT MS2V	
		X	• COMPONENTS	SEE GROUP 4B
		1	V-DRIVE UNIT MS2V	RATIO 3,0:1
		X	• COMPONENTS	SEE GROUP 4B
2	925260	1	O-ring	
3	955319	6	Hexagon screw	
4	941908	6	Spring washer	
5	838508	1	Coolant pipe	OBSOLETE PART
6	838509	1	Coolant pipe	OBSOLETE PART
7	418445	2	Sealing ring	
8	955270	4	Hexagon screw	
9	941906	4	Spring washer	
10	952969	X	Hose	L = 2X55 MM
11	943473	4	Hose clamp	
12	952629	2	Clamp	
13	955269	1	Hexagon screw	
14	955892	1	Washer	
15	955781	1	Hexagon nut	
16	1258633	2	Clamp	
17	846761	1	Flywheel housing	SEE GROUP 2A
18	846770	1	Tube	SEE GROUP 2B