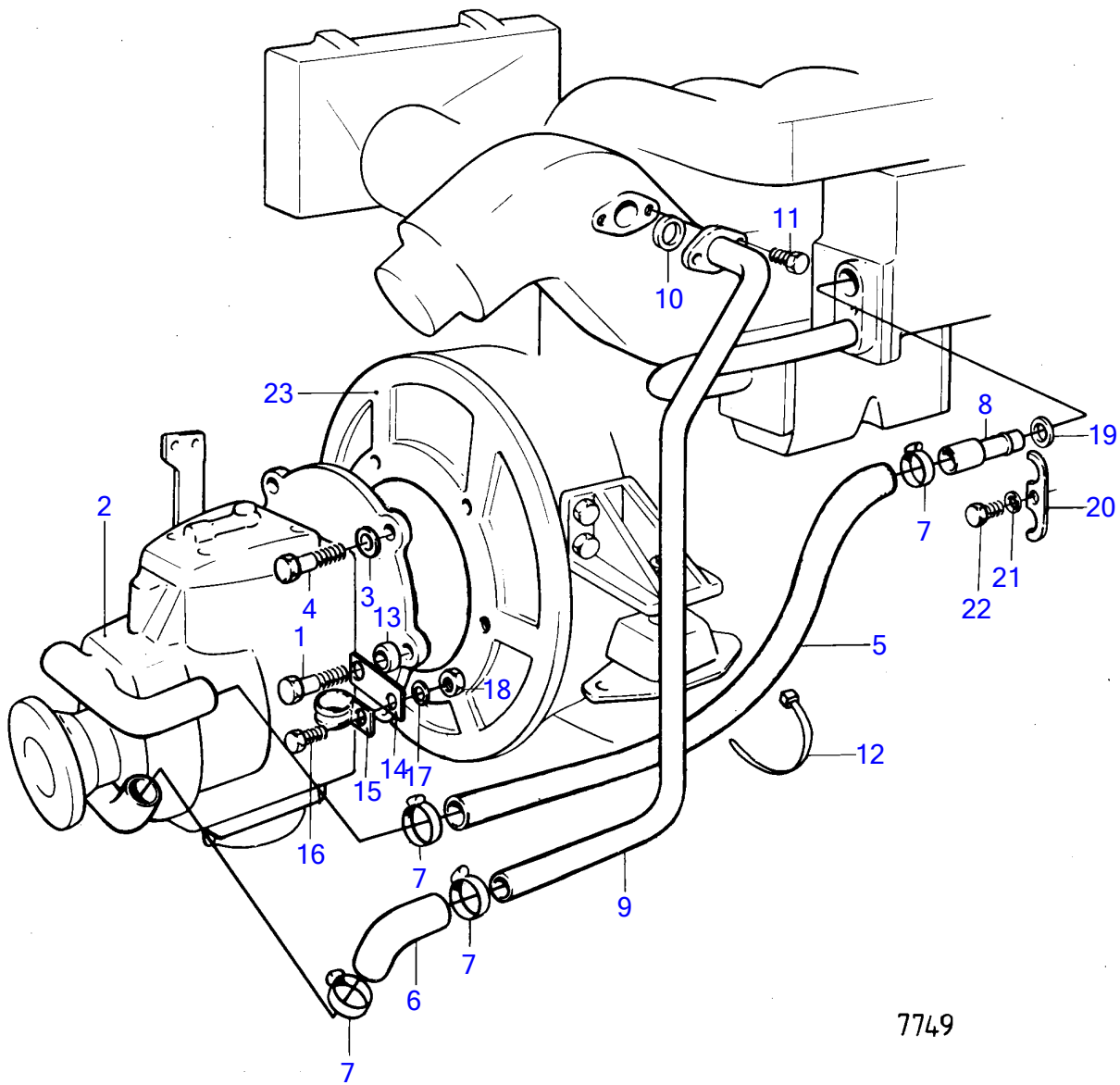


MD30A



7749

## MD30A

REF	PART NO.	QTY	DESCRIPTION	SEE SEC.	NOTES
1	955321	1	Hexagon screw		
2	852502	1	Reversing gear		REPLACED BY REVERSE GEAR-853398 AND CONNECTION KIT-853774, RATIO 1,93:1
			Bulletin 48-03	48-03-EN	Reverse Gear
2		X	• COMPONENTS		SEE GROUP 4B
	852503	1	Reversing gear		REPLACED BY REVERSE GEAR-853399 AND CONNECTION KIT-853774, RATIO 2,73:1
			Bulletin 48-03	48-03-EN	Reverse Gear
2		X	• COMPONENTS		SEE GROUP 4B
3	941908	6	Spring washer		
4	955319	6	Hexagon screw		
5	949315	X	Rubber hose		L = 680 MM
6	845792	1	Connecting hook		
7	943476	4	Hose clamp		
8	847105	1	Pipe		
9	845714	1	Coolant pipe		OBSOLETE PART
10	842913	1	Sealing ring		
11	955271	2	Hexagon screw		
12	949668	X	Cable tie		
13	820506	1	Spacer sleeve		
14	965535	1	Bracket		
15	952635	1	Clamp		
16	955271	1	Hexagon screw		
17	955892	1	Washer		
18	955781	1	Hexagon nut		
19	858986	1	Sealing ring		(842744)
20	829691	1	Retainer		SEE GROUP 2B
21	941906	1	Spring washer		SEE GROUP 2B
22	955270	1	Hexagon screw		SEE GROUP 2B
23	829489	1	Cardboard tube		