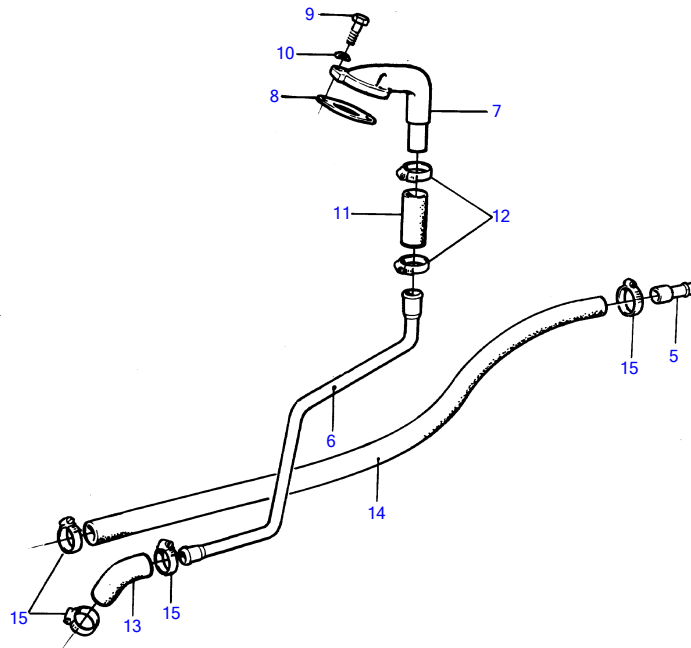
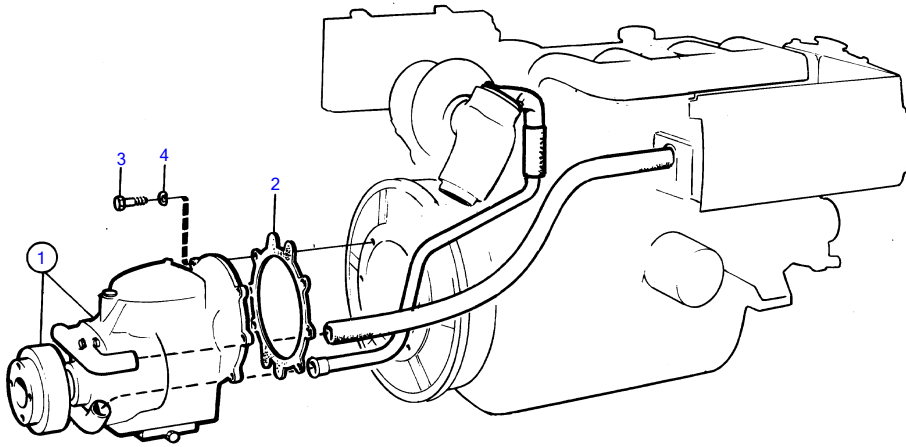


TAMD30A



7072

TAMD30A

REF	PART NO.	QTY	DESCRIPTION	SEE SEC.	NOTES
1	852502	1	Reversing gear		REPLACED BY REVERSE GEAR-853398 AND CONNECTION KIT-853774, RATIO 1,93:1
			Bulletin 48-03	48-03-EN	Reverse Gear
1		X	• COMPONENTS		SEE GROUP 4B
	852503	1	Reversing gear		REPLACED BY REVERSE GEAR-853399 AND CONNECTION KIT-853774, RATIO 2,73:1
			Bulletin 48-03	48-03-EN	Reverse Gear
1		X	• COMPONENTS		SEE GROUP 4B
2	803921	1	Gasket		OBSOLETE PART
3	955319	6	Hexagon screw		
4	941908	6	Spring washer		
5	847105	1	Pipe		SEE GROUP 2B
6	846051	1	Coolant pipe		OBSOLETE PART
7	845791	1	Connector		SEE GROUP 2B
8	845527	1	Gasket		SEE GROUP 2B
9	959219	2	Hex. socket screw		SEE GROUP 2B
10	941907	2	Spring washer		SEE GROUP 2B
11	944386	X	Rubber hose		L = 90 MM
12	943475	2	Hose clamp		
13	845792	1	Connecting hook		
14	949315	X	Rubber hose		L = 680 MM
15	943476	4	Hose clamp		

7744050-44-18180B

7072

Upd:2010-07-01