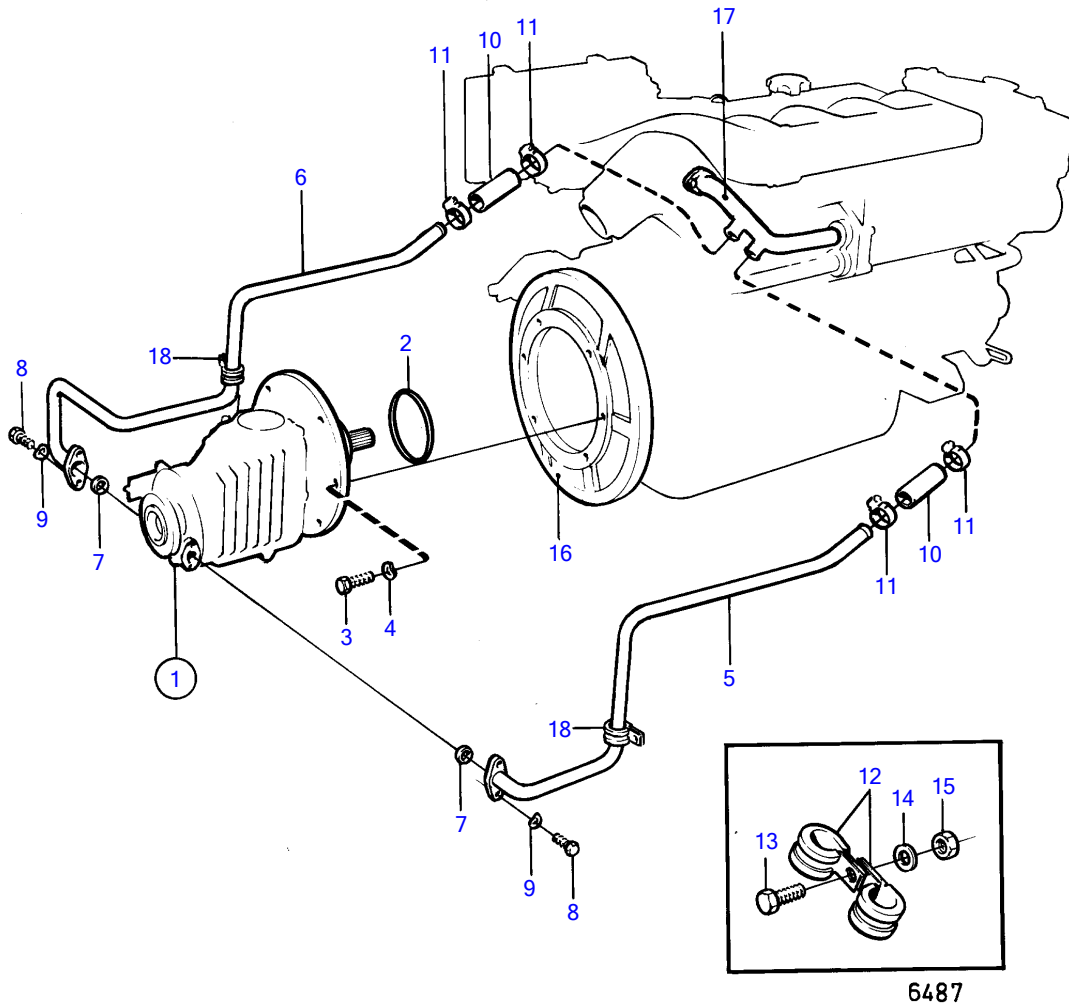


MD30A



MD30A

REF	PART NO.	QTY	DESCRIPTION	NOTES
1	852730	1	Reversing gear	
		X	• COMPONENTS	SEE GROUP 4B
	852731	1	Reversing gear	RATIO 3,02:1
		X	• COMPONENTS	SEE GROUP 4B
2	925260	1	O-ring	
3	955319	6	Hexagon screw	
4	941908	6	Spring washer	
5	846082	1	Coolant pipe	
6	846083	1	Coolant pipe	
7	418445	2	Sealing ring	
8	955270	4	Hexagon screw	
9	941906	4	Spring washer	
10	952969	X	Hose	L = 2X55 MM
11	943473	4	Hose clamp	
12	952629	2	Clamp	
13	955269	1	Hexagon screw	
14	955892	1	Washer	
15	955781	1	Hexagon nut	
16	846761	1	Flywheel housing	SEE GROUP 2A
17	846770	1	Tube	SEE GROUP 2B
18	1258633	2	Clamp	