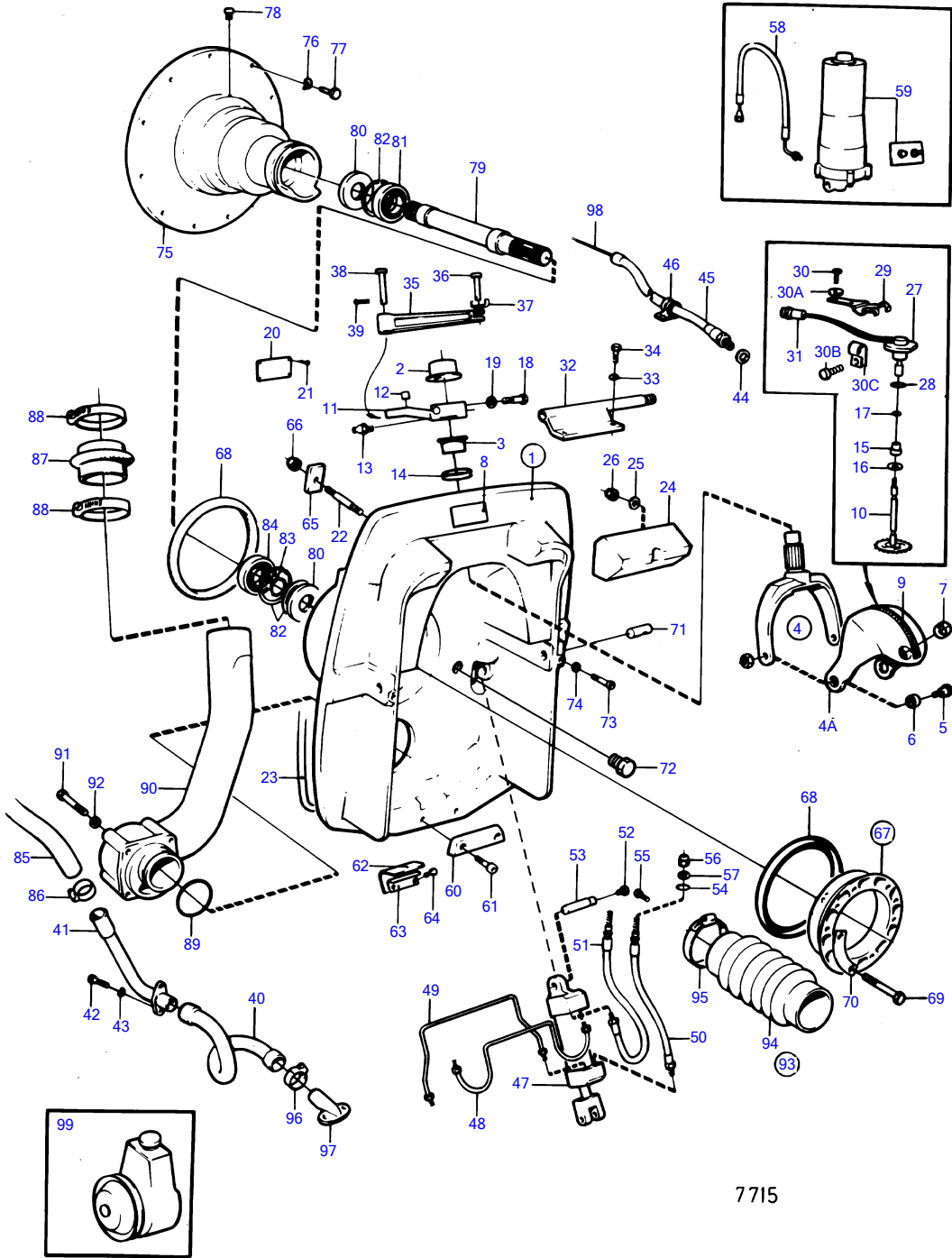


AQAD30A



AQAD30A

REF	PART NO.	QTY	DESCRIPTION	SEE SEC.	NOTES
1	875845	1	Transom shield		
2	853863	2	• Bushing		(853496)
3	853864	2	• Bushing		(853497)
4	852950	1	• Steering yoke		
4A		1	• • PROTECTION CAP		
5	851432	2	• • Shoulder screw		OBSOLETE PART
6		2	• • BUSHING		
7	853048	1	• • Bushing		
8	852827	1	• Sign		
9	851434	1	• Gear segment		
10	852984	1	• Driving wheel		
11	853017	1	• Spindle arm		
12	949368	1	• • Bushing		
13	914169	1	• Lubricating nipple		
14	839195	1	• Ring		
			Bulletin 48-23	48-23-EN	Seal Ring
15	851430	1	• Bushing		
16	966207	1	• Sealing ring		
17	925050	1	• O-ring		
18	955320	1	• Hexagon screw		
19	941908	1	• Spring washer		
20		1	SIGN		
21	950885	4	Drive screw		
22	853982	6	Stud		L = 110 MM
23	852868	1	Sealing strip		
24	852772	1	Rubber cushion		
25	960148	2	Washer		
26	963107	2	Lock nut		
27	828726	1	Sensor		
28	955991	1	O-ring		
29	853039	1	Bracket		
30	940199	1	Hexagon screw		
30A	941907	1	Spring washer		
30B	958247	1	Cross recessed screw		OBSOLETE PART
30C	952628	1	Clamp		
31		X	CABLES AND TERMINALS		SEE GROUP 3
32	852775	1	Cable attachment		
33	959241	2	Hex. socket screw		
34	955320	2	Hexagon screw		
35	852786	1	Link rod		
36	913158	1	Clevis pin		
37	853160	1	Lock washer		
38	852788	1	Bolt		OBSOLETE PART
39	907861	1	Split pin		
40	875847	1	Hose kit		(852768)
41	852771	1	Coolant pipe		
42	940100	2	Hexagon screw		
43	941906	2	Spring washer		
44	897745	1	Gasket		
45	839091	1	Protecting hose		
46	952635	1	Clamp		REPLACED BY KIT 876041 (2EA 853308,2EA 853309, 1EA 853310,1EA 853439),. PZ-29003011
					REPLACED BY KIT 876041 (2EA 853308,2EA 853309, 1EA 853310,1EA 853439),. PZ-29003010
47	852755	2	Hydraulic cylinder		
48	852830	1	Tube		
49	852832	1	Tube		
50	853709	1	Hose		(852848)
51	853708	1	Hose		(852847)
52	852879	2	Plug		
53	925053	2	O-ring		

AQAD30A

REF	PART NO.	QTY	DESCRIPTION	SEE SEC.	NOTES
54	853060	4	Flange screw		
55	955269	2	Hexagon screw		
56	853100	2	Lock nut		
57	853059	2	Washer	18186	
58	852839	2	Hose	18186	
59		1	HYDRAULIC PUMP AND TRIM INSTRUMENT WITH INSTALLATION COMPONENTS		PZ29501175-
60	852835	1	Zinc electrode		
61	946541	2	Hex. socket screw		
62	852877	1	Check valve		
63	852878	1	Attaching plate		
64	963545	2	Hexagon screw		
65	852866	6	Washer		
66	963108	6	Lock nut		
67	843626	1	Mounting kit		
68	813967	2	• Rubber ring		
69	191844	6	• Hexagon screw	18186	
70	806624	3	• Striker plate		
71	853175	2	Pivot pin		(897831)
72	853215	1	Plug		
73	963699	2	Hex. socket screw		
74	941670	2	Washer		
75	844519	1	Flywheel housing		SEE GROUP 2A
76	941909	11	Spring washer		
77	955319	11	Hexagon screw		
78	804262	1	Plug		
79	839425	1	Spindle		
80	958860	2	Sealing ring		
81	11013	1	Ball bearing		
82	914533	3	Snap ring		
83	914462	1	Snap ring		
84	181105	1	Ball bearing		
85	838513	1	Hose		
86	961670	4	Hose clamp		
87	843228	1	Exhaust hose		SEE GROUP 2B
88	943483	2	Hose clamp		SEE GROUP 2B
89	925260	1	O-ring		
90	852844	1	Exhaust pipe		
91	955328	4	Hexagon screw		
92	960148	4	Washer		
93	875848	1	Bellows kit		
94	853548	1	• Hose clamp		(961668)
95	961675		• Hose clamp		
96	853548	2	Hose clamp		(961668)
97	851766	1	Hose connection		SEE GROUP 4C
98		X	CONTROL CABLE		SEE GROUP 9
99		X	POWER STEERING		SEE GROUP 6
		X	ROTO PILOT		SEE GROUP 6