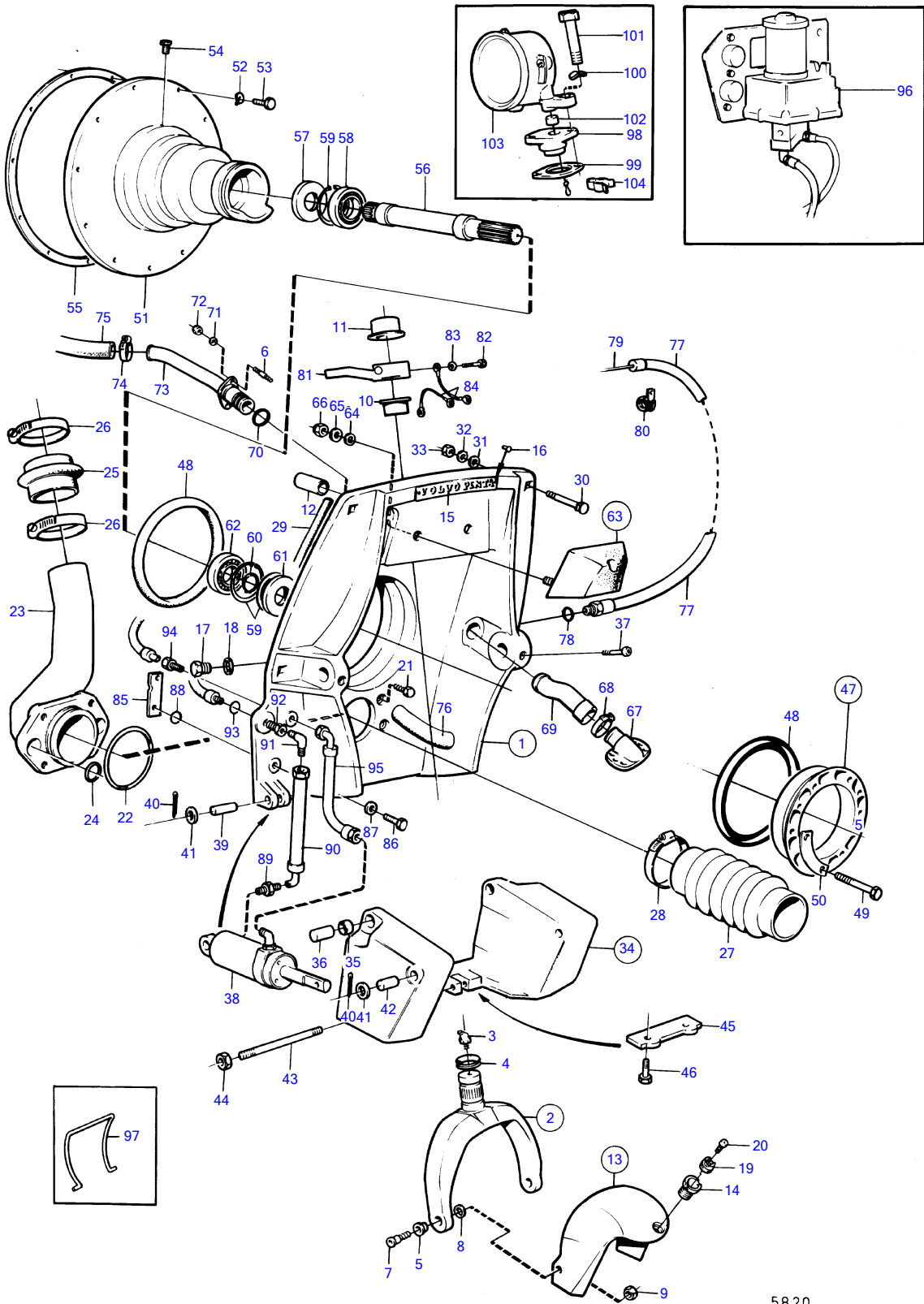


AQAD30A



5820

## AQAD30A

REF	PART NO.	QTY	DESCRIPTION	SEE SEC.	NOTES
1	875674	1	Shield		OBSOLETE PART
2	839441	1	• Steering yoke		
3	914169	1	• • Lubricating nipple		
4	839195	1	• • Ring		
			Bulletin 48-23	48-23-EN	Seal Ring
5	814640	2	• • Bushing		
6	941872	2	• Stud		
7	897798	2	• Shoulder screw		
8	897244	2	• Washer		
9	943152	2	• Nut		
10	853863	1	• Bushing		(853496)
11	853864	1	• Bushing		(853497)
12	850653	1	• Bushing		SEE GROUP 6
13	851267	1	• Protective helmet		
14	853048	1	• • Bushing		(851262)
15	832608	1	• Plate		
16	804269	2	• Drive screw		
17	897744	1	• Plug		OBSOLETE PART
18	897745	1	• Gasket		
19	852705	1	Pivot pin		(851263)
20	941807	2	Hex. socket screw		
21	959967	4	Hexagon screw		
22	925256	1	O-ring		
23	842962	1	Exhaust grommet		
24	925055	4	O-ring		
25	843228	1	Exhaust hose		SEE GROUP 2B
26	943483	2	Hose clamp		SEE GROUP 2B
27	875848	1	Bellows kit		
		1	• BELLOWS		
		9	• • RING		
28	961675	2	• Hose clamp		
29	897726	1	Sealing strip		
30	943426	6	Screw		
31	850418	6	O-ring		
32	190878	6	Washer		
33	940176	6	Hexagon nut		
34	850917	1	Brace		OBSOLETE PART
35	832820	2	• Bushing		
36	850804	2	Pivot pin		
37	850904	2	Screw		
38	850921	1	Hydraulic cylinder		S.B
	850939	1	Hydraulic cylinder		P
39	850805	2	Pin		
40	851073	8	Split pin		OBSOLETE PART
41	943194	8	Washer		
42	850806	2	Pin		
43	850807	1	Adjusting pin		
44	814357	2	Flange nut		
45	832598	1	Zinc anode		
46	959438	2	Hex. socket screw		
47	843626	1	Mounting kit		
48	813967	2	• Rubber ring		
49	191844	6	• Hexagon screw		
50	806624	3	• Striker plate		
51	844519	1	Flywheel housing		
52	941909	11	Spring washer		
53	955319	11	Hexagon screw		
54	804262	1	Plug		
55	829488	1	Gasket		OBSOLETE PART
56	839425	1	Spindle		
57	958860	1	Sealing ring		
58	11013	1	Ball bearing		
59	914533	3	Snap ring		

7744050-44-18184

5820

Upd:2010-07-01

AD30A, AQAD30A, MD30A, TAMD30A, TMD30A, AD30, AQAD30, MD30, TAMD30, TMD30

**VOLVO**  
**PENTA**

## AQAD30A

REF	PART NO.	QTY	DESCRIPTION	SEE SEC.	NOTES
60	914462	1	Snap ring		
61	958860	1	Sealing ring		
62	181105	1	Ball bearing		
63	875531	1	Rubber cushion		
64	832565	2	• Gasket		
65	940097	2	• Washer		
66	950364	2	• Lock nut		
67	832846	1	Hose connection		SEE GROUP 4C
68	853548	2	Hose clamp		(961668)
69	875822	1	Hose kit		(897599)
		1	• HOSE		
	853548	2	• Hose clamp		(961668)
70	925063	1	O-ring		
71	955893	2	Washer		
72	950352	2	Lock nut		
73	850729	1	Grommet		
74	943476	2	Hose clamp		
75	941799	X	Hose		L = 300 MM
76	843235	1	Exhaust pipe		
77	839091	1	Protecting hose		
78	897745	1	Gasket		
79		X	CONTROL CABLE		SEE GROUP 9
80	952635	1	Clamp		
81	850488	1	Spindle arm		SEE GROUP 6
82	955537	1	Hexagon screw		
83	940097	1	Washer		
84		X	CABLES AND TERMINALS		SEE GROUP 3
85	850902	2	Spacer		OBSOLETE PART
86	851071	2	Screw		OBSOLETE PART
87	851072	2	Washer		OBSOLETE PART
88	850418	2	O-ring		
89	850903	2	Tube fitting		
90	850907	2	Hose coupling		
91	850916	2	Elbow nipple		
92	851221	2	Fitting		
93	941820	2	O-ring	18181	
94	851042	2	Nipple	18181	
95	850906	2	Hose coupling		
96			HYDRAULIC PUMP WITH INSTALLATION COMPONENTS	18182	
97	897824	1	Transport lock		FOR TRANSPORT.
98	851307	1	Flange		
99	851308	1	Gasket		
100	955894	2	Washer		
101	955525	1	Hexagon screw		
	940159	1	Hexagon screw		
102	830449	1	Seal		
103	852695	1	Sensor		(851313)
104	851397	1	Retainer		