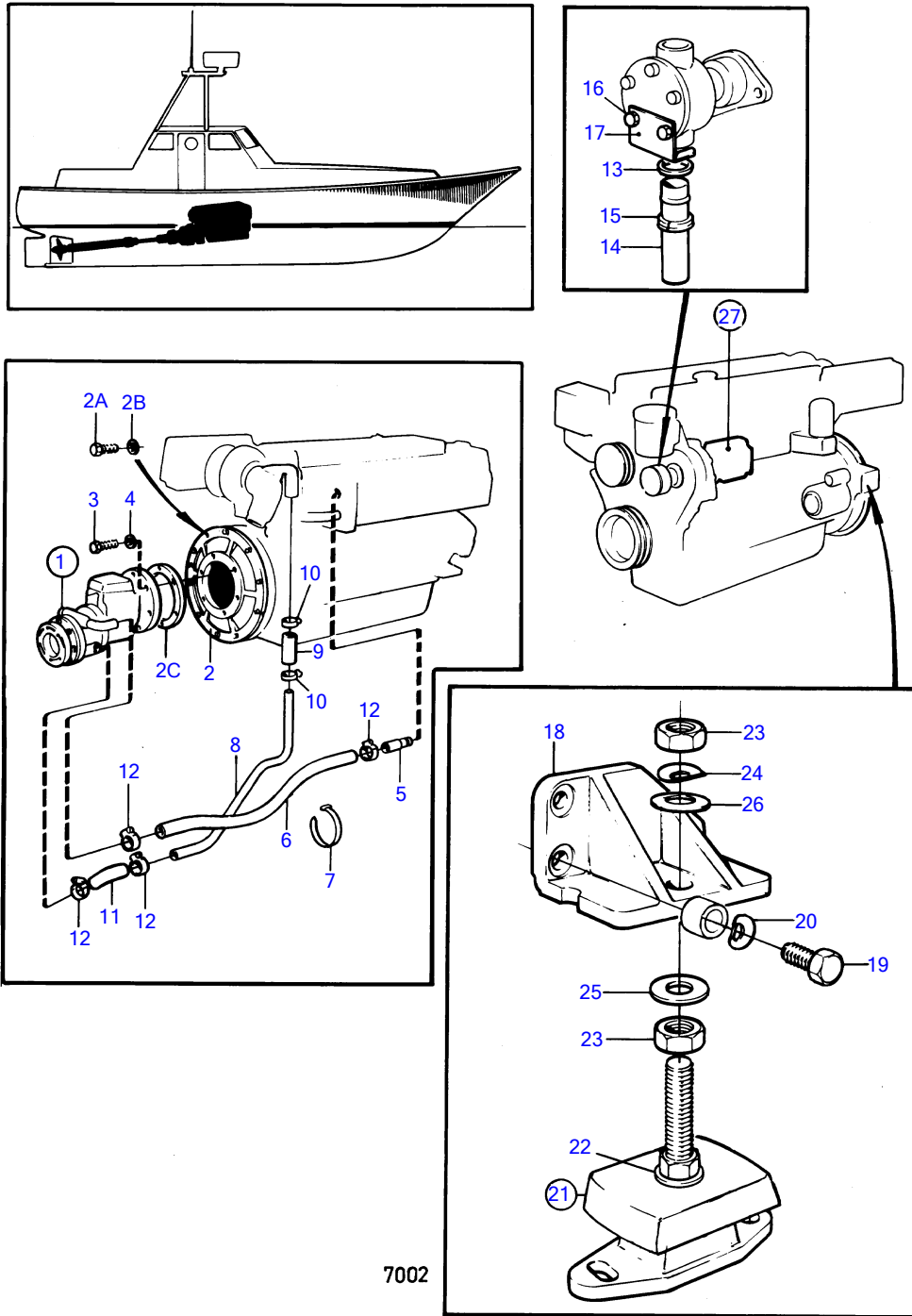


TAMD30A



TAMD30A

REF	PART NO.	QTY	DESCRIPTION	SEE SEC.	NOTES
1	852502	1	Reversing gear		REPLACED BY REVERSE GEAR-853398 AND CONNECTION KIT-853774
			Bulletin 48-03	48-03-EN	Reverse Gear
1		X	• COMPONENTS		SEE GROUP 4B
	852503	1	Reversing gear		REPLACED BY REVERSE GEAR-853399 AND CONNECTION KIT-853774, RATIO 2,73:1
			Bulletin 48-03	48-03-EN	Reverse Gear
1		X	• COMPONENTS		SEE GROUP 4B
2	829489	1	Cardboard tube		
2A	955319	11	Hexagon screw		
2B	941908	11	Spring washer		
2C	803901	1	Connection flange		
3	955319	6	Hexagon screw		
4	941908	6	Spring washer		
5	847105	1	Pipe		
6	949315	X	Rubber hose		L = 680 MM
7	948210	X	Cable tie		
8	846051	1	Coolant pipe		OBSOLETE PART
9	944386	X	Rubber hose		L = 60 MM
10	943475	2	Hose clamp		
11	845792	1	Connecting hook		
12	943475	4	Hose clamp		
13	949658	1	O-ring		(925061)
14	847105	1	Pipe		
15	847108	1	Pipe retainer		
16	963545	2	Hexagon screw		
17	847107	1	Lock brace		
18	829516	1	Engine bracket		S.B
	829515	1	Engine bracket		P
19	955341	5	Hexagon screw		
20	940143	6	Toothed washer		
21	846764	4	Rubber element		
			Bulletin 44-26	44-26-EN	Reinforced Rubber Cushion
22	955900	4	• Washer		
23	955805	8	Hexagon nut		
24	941912	4	Spring washer		
25	191940	6	Washer		
26	955900	2	Washer		
27	846023	1	Injection pump		OBSOLETE PART
		X	• COMPONENTS		SEE GROUP 2C