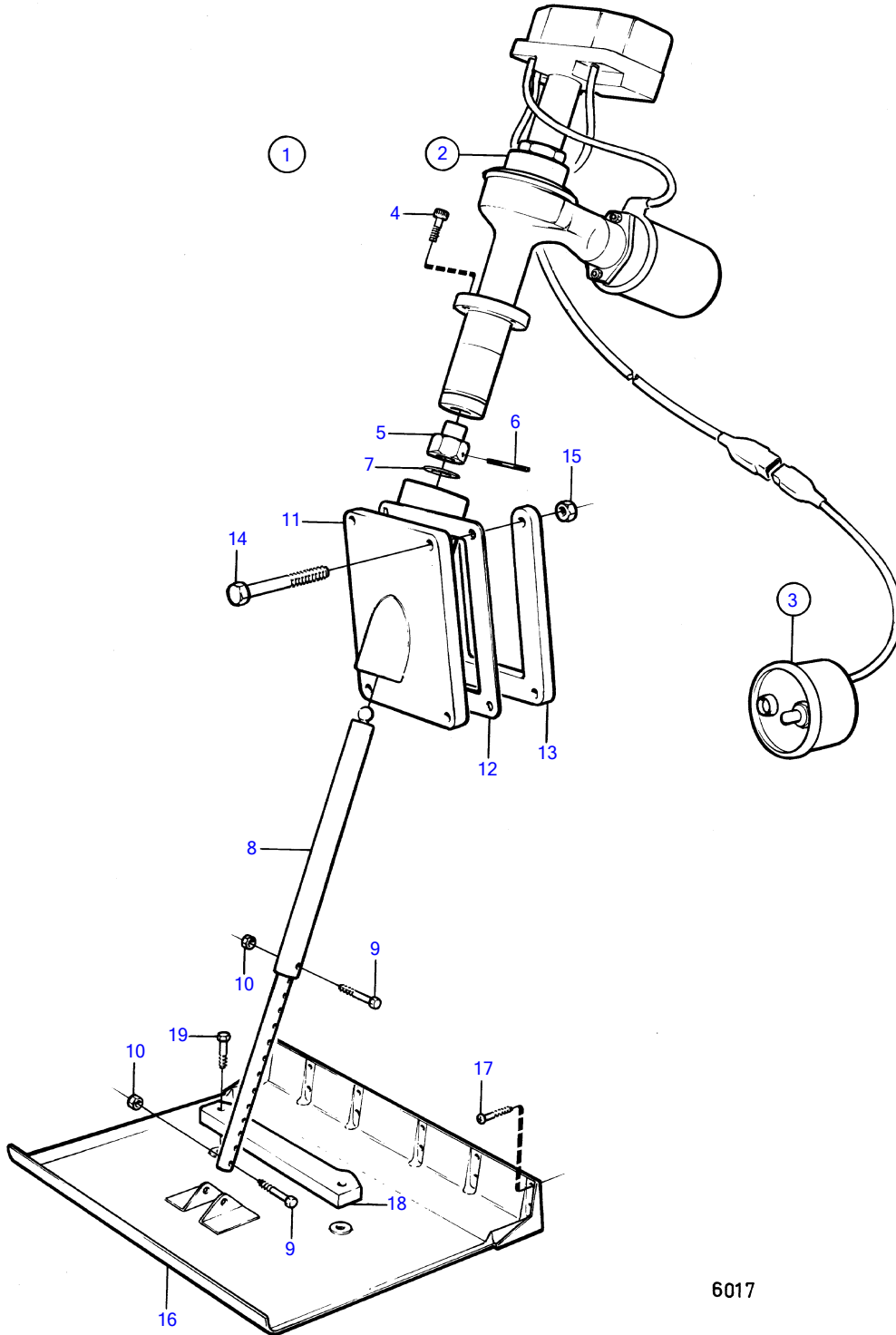


AD30A, AQAD30A, MD30A, TAMD30A, TMD30A



6017

AD30A, AQAD30A, MD30A, TAMD30A, TMD30A

REF	PART NO.	QTY	DESCRIPTION	SEE SEC.	NOTES
1	851350	1	Trimming raft		OBSOLETE PART
2	850957	1	• Electromechanical li		REPL BY 853520
			• •	18245	
	853520	1	• Electromechanical li		OBSOLETE PART
			• •	18245	
3	850375	1	• Instrument panel		
			• •	18246	
4	956568	4	• Hex. socket screw		
5	827267	2	• Ball socket		OBSOLETE PART
6	943793	2	• Spring pin		OBSOLETE PART
7	827268	2	• Locking wire		OBSOLETE PART
8	827544	2	• Push rod		OBSOLETE PART
9	963559	2	• Hexagon screw		OBSOLETE PART
10	966170	2	• Lock nut		
11	827264	2	• Housing		OBSOLETE PART
12	827269	2	• Gasket		OBSOLETE PART
13	827265	2	• Flange		OBSOLETE PART
14	191844	12	• Hexagon screw		
15	950364	12	• Lock nut		
16	827324	2	• Trimming raft		OBSOLETE PART
17	943790	24	• Screw		OBSOLETE PART
18	832598	2	• Zinc anode		
19	940171	4	• Hexagon screw		OBSOLETE PART