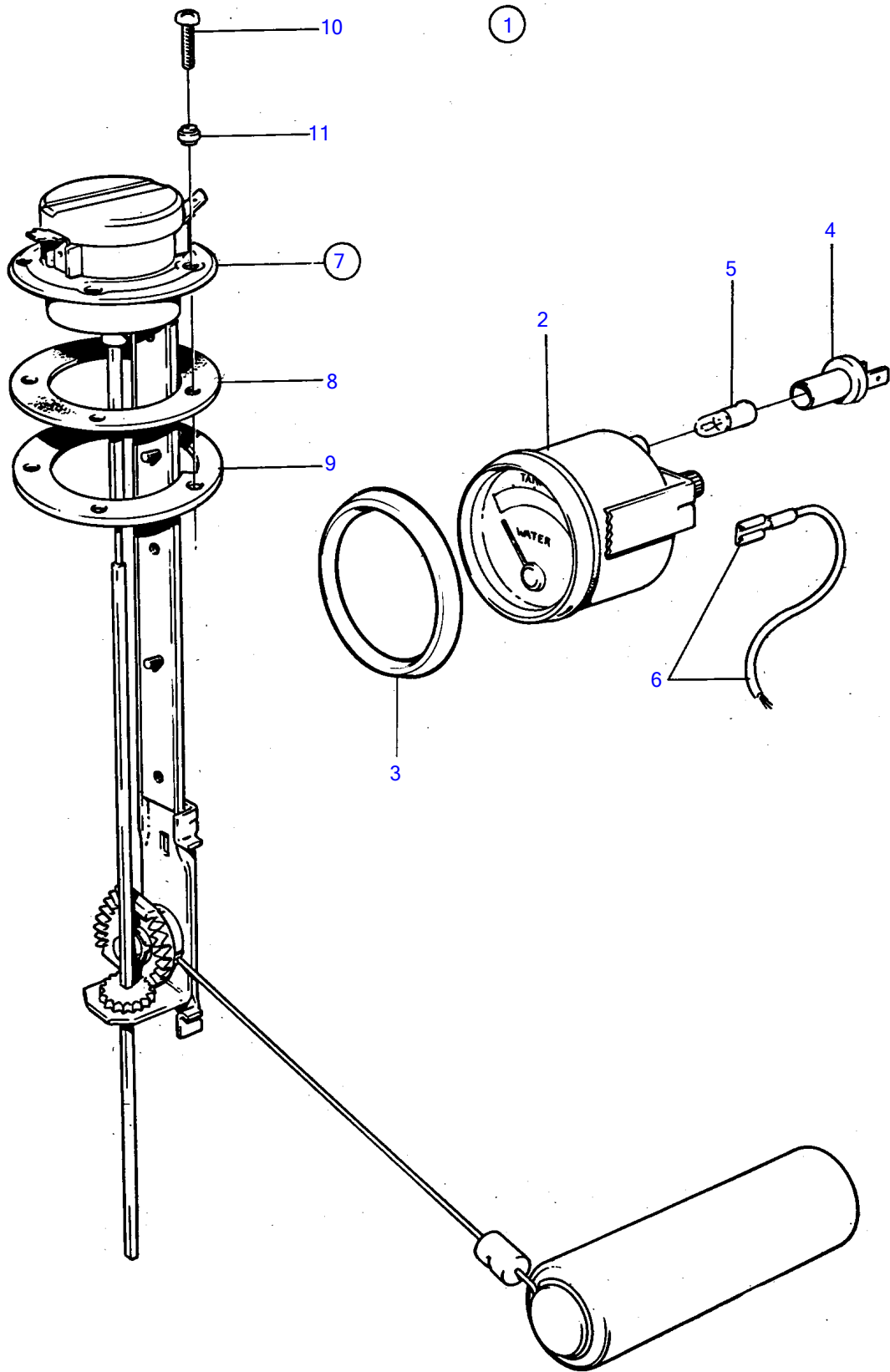


AD30A, AQAD30A, MD30A, TAMD30A, TMD30A



AD30A, AQAD30A, MD30A, TAMD30A, TMD30A

REF	PART NO.	QTY	DESCRIPTION	NOTES
1	828716	1	Water level gauge	GOLD COLOURED DECOR STRIPE., 12V
2	828635	1	• Water level gauge	*
3	828542	1	• Front ring	*
4	808175	1	• Lamp socket	
5	19923	1	• Bulb	
6		X	• CABLES AND TERMINALS	SEE GROUP 3
7	834389	1	• Sensor	
8	89865	1	• • Gasket	
9	834480	1	• • Flange	
10	956078	4	• • Cross recessed screw	L = 16 MM
	956081	1	• • Cross recessed screw	L = 25 MM
11	834481	5	• • Gasket	