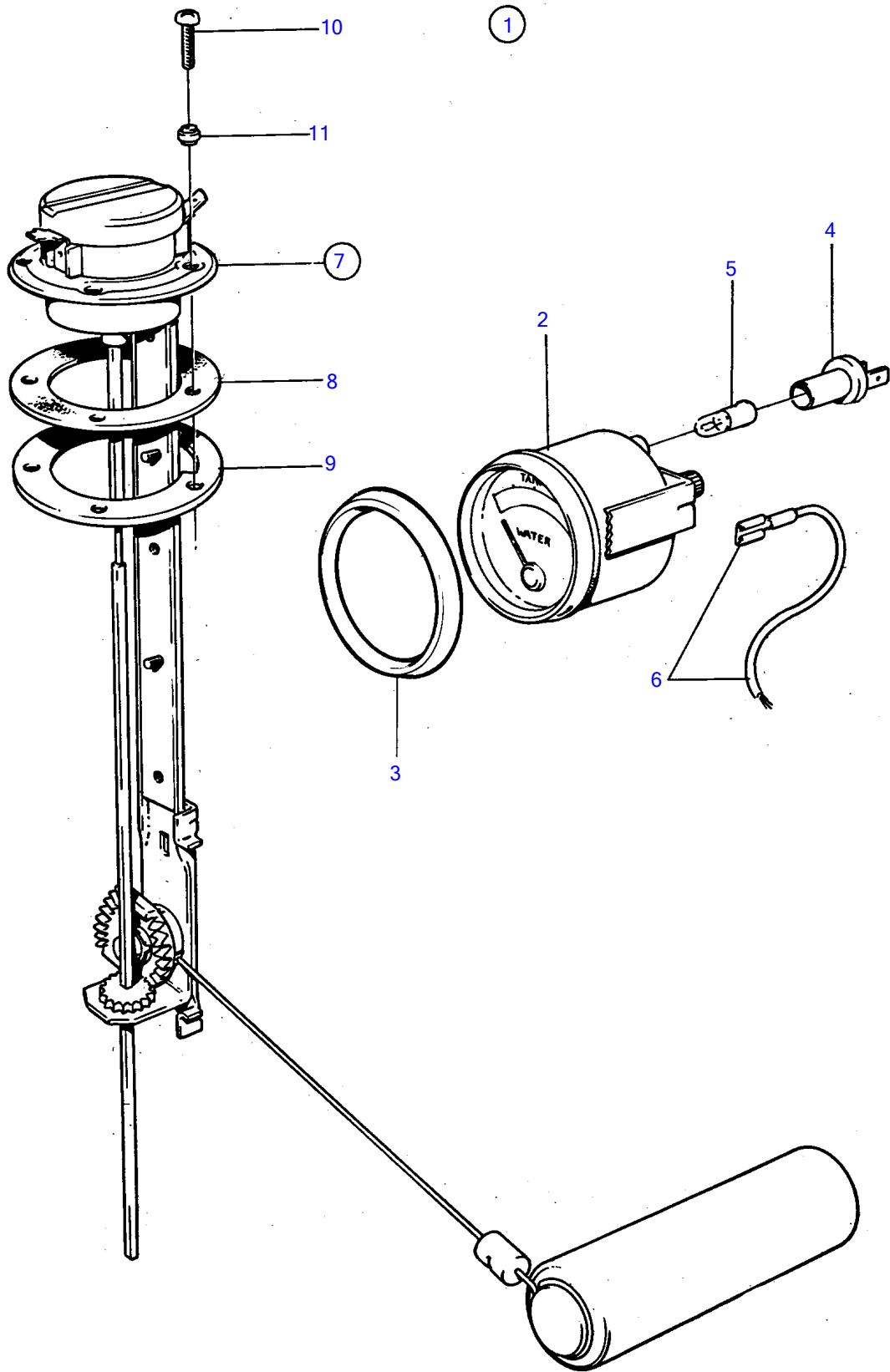


AD30A, AQAD30A, MD30A, TAMD30A, TMD30A



AD30A, AQAD30A, MD30A, TAMD30A, TMD30A

| REF | PART NO. | QTY | DESCRIPTION | NOTES |
|-----|----------|-----|--------------------------|-----------------------------------|
| 1 | 858881 | 1 | Tank gauge kit | WHITE COLOURED DECOR STRIPE., 12V |
| 2 | 828635 | 1 | • Water level gauge | |
| 3 | 858643 | 1 | • Front ring | |
| 4 | 808175 | 1 | • Lamp socket | |
| 5 | 19923 | 1 | • Bulb | |
| 6 | | X | • CABLES AND TERMINALS | SEE GROUP 3 |
| 7 | 834389 | 1 | • Sensor | |
| 8 | 89865 | 1 | • • Gasket | |
| 9 | 834480 | 1 | • • Flange | |
| 10 | 956078 | 4 | • • Cross recessed screw | L = 16 MM |
| | 956081 | 1 | • • Cross recessed screw | L = 25 MM |
| 11 | 834481 | 5 | • • Gasket | |