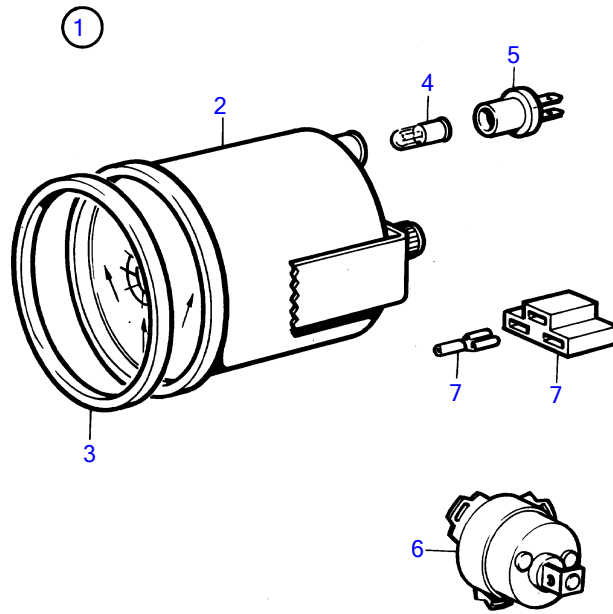


AD30A, AQAD30A, MD30A, TAMD30A, TMD30A



8539

AD30A, AQAD30A, MD30A, TAM30A, TMD30A

REF	PART NO.	QTY	DESCRIPTION	NOTES
1	858884	1	Rudder indicator kit	12V
2	828698	1	▪ Rudder indicator	
3	858643	1	▪ Front ring	
4	19923	1	▪ Bulb	
5	808175	1	▪ Lamp socket	
6	837772	1	▪ Position sensor	
7		X	▪ CABLES AND TERMINALS	SEE GROUP 3