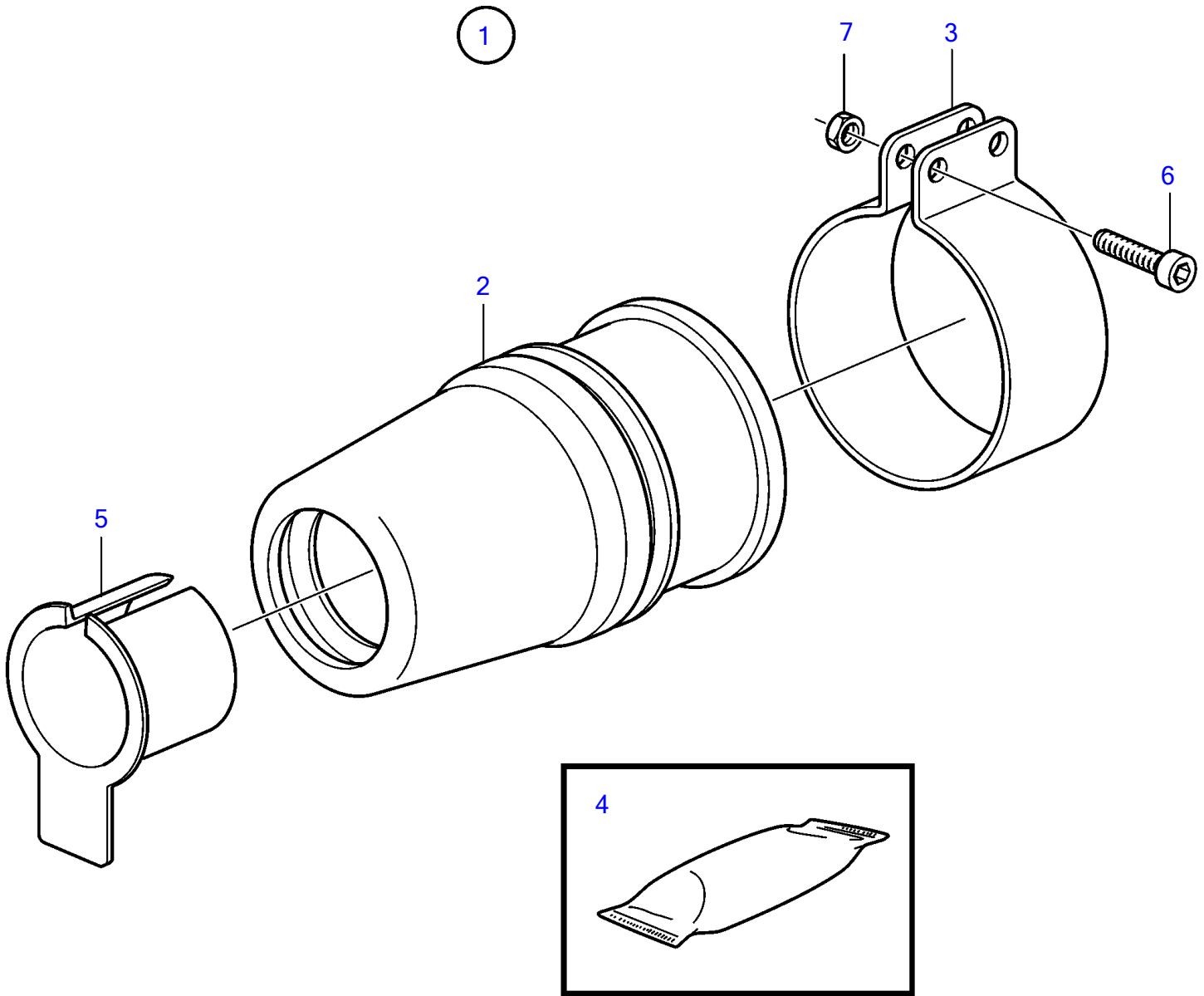


AD30A, AQAD30A, MD30A, TAMD30A, TMD30A



6147

AD30A, AQAD30A, MD30A, TAMD30A, TMD30A

| REF | PART NO. | QTY | DESCRIPTION          | SEE SEC.    | NOTES                                 |
|-----|----------|-----|----------------------|-------------|---------------------------------------|
| 1   | 828422   | 1   | Sealing              |             | D = 30 MM                             |
|     |          |     | Bulletin P-44-6-1    | P-44-6-1-EN | Rubber Stuffing Box                   |
| 2   |          | 1   | • STUFFING BOX       |             |                                       |
| 3   | 828418   | 1   | • Clamp              |             |                                       |
| 4   | 828250   | 1   | • Lubricating grease |             |                                       |
|     |          |     | Bulletin P-18-4-6    | P-18-4-6-EN | Water resistant grease for grease gun |
| 5   |          | 1   | • UNIVERSAL SLEEVE   |             |                                       |
| 6   |          | 2   | •                    |             |                                       |
| 7   | 966170   | 2   | • Lock nut           |             |                                       |