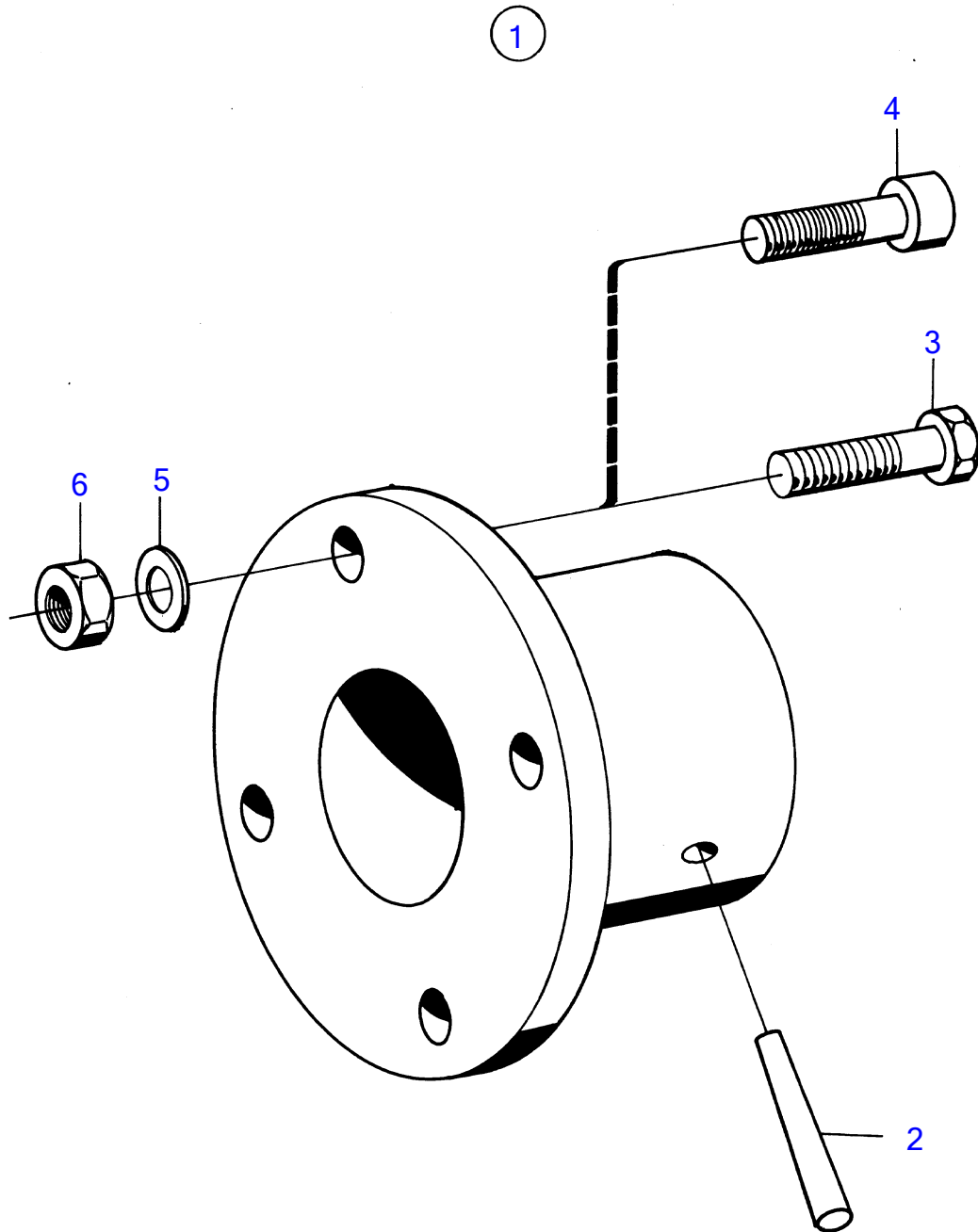


AD30A, AQAD30A, MD30A, TAMD30A, TMD30A



3232

AD30A, AQAD30A, MD30A, TAM30A, TMD30A

REF	PART NO.	QTY	DESCRIPTION	NOTES
1	806383	1	Clutch flange	CENTER DRILLED.
2	907599	1	• Taper pin	
3	955319	4	• Hexagon screw	
4	959239	4	• Hex. socket screw	
5	941908	4	• Spring washer	
6	955783	4	• Hexagon nut	