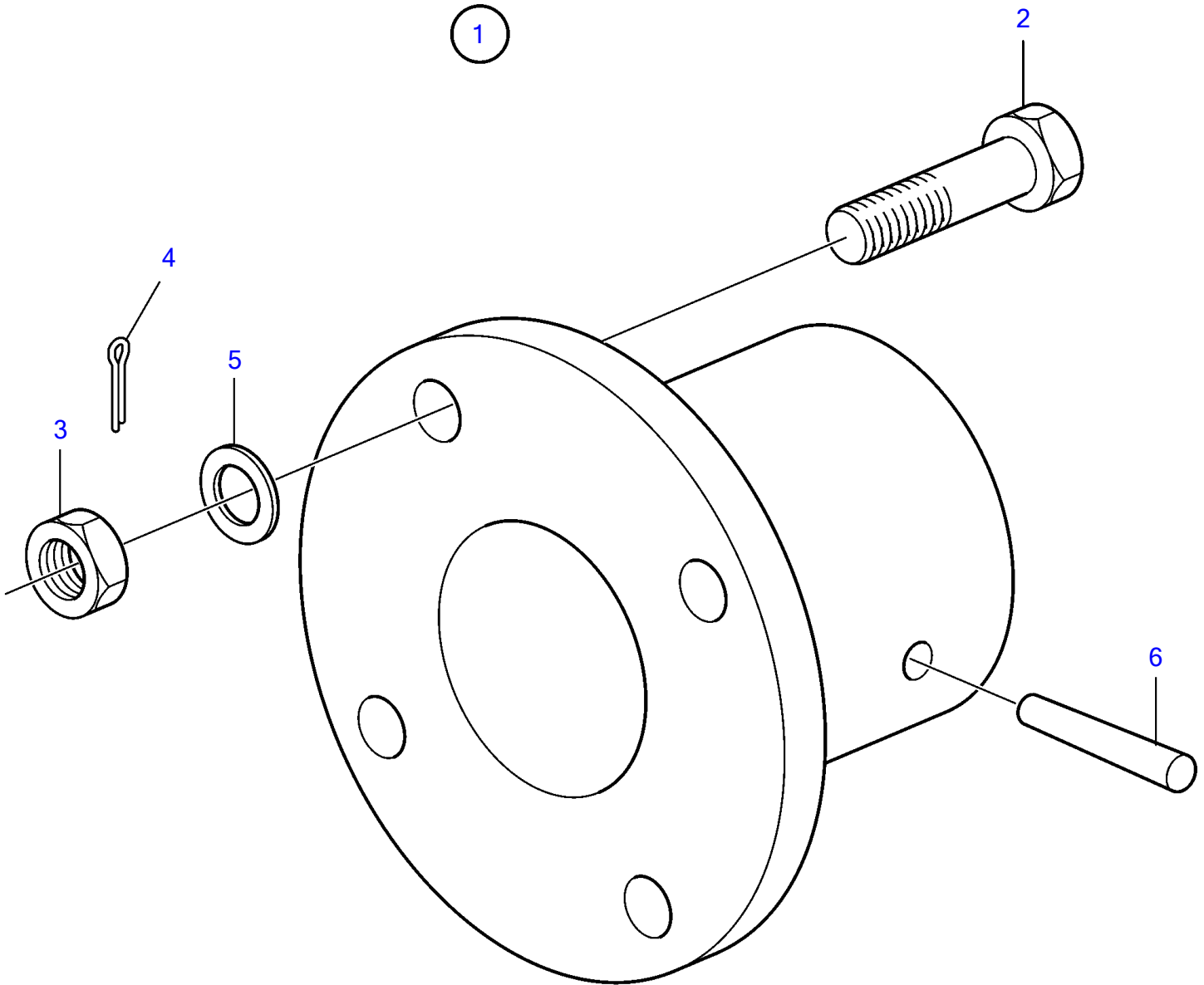


AD30A, AQAD30A, MD30A, TAM30A, TMD30A



4624

AD30A, AQAD30A, MD30A, TAM30A, TMD30A

REF	PART NO.	QTY	DESCRIPTION	NOTES
1	829279	1	Clutch flange	FOR REDUCTION REVERSE GEAR RATIO 1,91:1., OBSOLETE PART
2	955692	4	• Hexagon screw	L = 32 MM
	955691	4	• Hexagon screw	L = 25 MM
3	955883	4	• Castle nut	
4	907834	4	• Split pin	
5	941909	4	• Spring washer	
6	907617	1	• Taper pin	