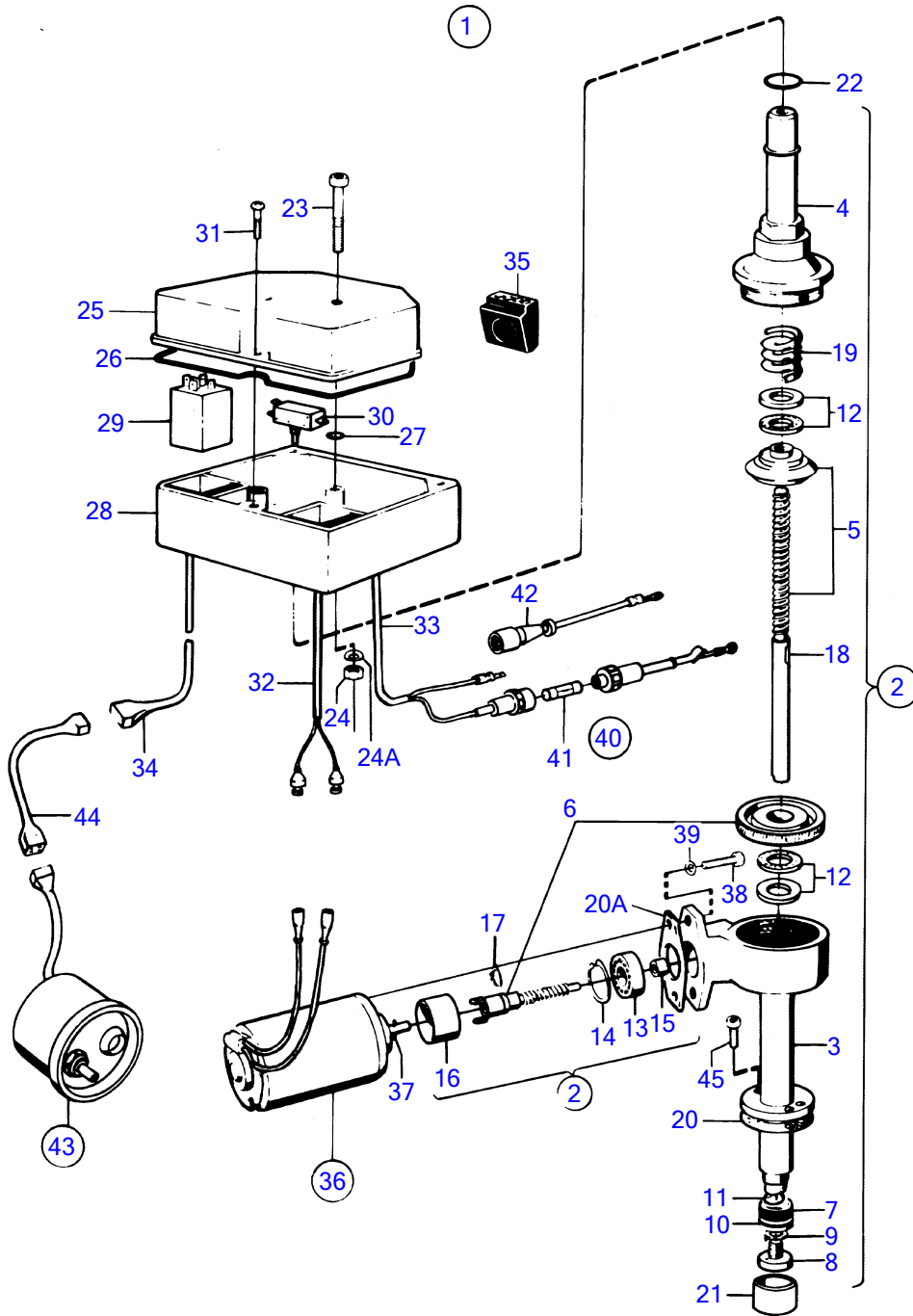


AQAD30A



5372

AQAD30A

REF	PART NO.	QTY	DESCRIPTION	SEE SEC.	NOTES
1	850957	1	Electromechanical li		REPL BY 853520
2	839433	1	• Lifting device		
3	897658	1	• • Housing		
4	839403	1	• • Upper section		
5	875351	1	• • Vise rod		
6	875352	1	• • Worm gear kit		
7	897664	1	• • Nut		
8	814219	1	• • Pressure plate		
9	814218	1	• • Tab washer		
10	925060	1	• • O-ring		
11	955977	1	• • O-ring		
12	19280	2	• • Ball bearing		
13	181424	1	• • Ball bearing		
14	914515	1	• • Snap ring		
15	897667	1	• • Bushing		
16	897762	1	• • Guide ring		
17	914446	1	• • Snap ring		
18	909838	1	• • Flat key		
19	897666	1	• • Spring		
20	814304	1	• Gasket		
20A	851480	1	• Gasket		LATE TYPE
21	832153	1	• Support ring		
22	955995	1	• O-ring		
23	959327	2	• Hex. socket screw		
24	940092	2	• Hexagon nut		
24A	941905	2	• Spring washer		
25	839330	1	• Cardboard tube		
26	946438	1	• O-ring		
27	852088	2	• Sealing ring		
28	839331	1	• Relay housing		OBSOLETE PART
29	876039	2	• Relay kit		(831725)
30	850710	1	• Toggle switch		
31	955119	3	• Cross recessed screw		
32	850896	1	• Cable trunk		
33	850955	1	• Cable trunk		OBSOLETE PART
34	850717	1	• Cable trunk		
35	850714	2	• Cable fixing clamp		
36	850834	1	• Electrical motor		
37	944596	1	• • Pin		OBSOLETE PART
	851126	1	Repair kit		
38	956061	2	Cross recessed screw		
39	941904	2	Spring washer		
40	850984	1	Hanging fuse		EARLY TYPE, USA, OBSOLETE PART
	850970	1	Fuse		LATE TYPE, USA
41	851120	1	• Fuse		EARLY TYPE, 30A
	850965	1	• Fuse		LATE TYPE, 20A
42	851002	1	Cable		EXCL USA, OBSOLETE PART
43	850375	1	Instrument panel		
				18246	
44	839177	X	Extension cable'verl		REPLACED BY 839178., L = 1250 MM
	839178	X	Extension cable'verl		L = 2500 MM, OBSOLETE PART
	839179	X	Cable		REPLACED BY 839180., L = 5000 MM
	839180	X	Extension cable'verl		L = 7000 MM
45	956568	2	Hex. socket screw		SEE GROUP 4A