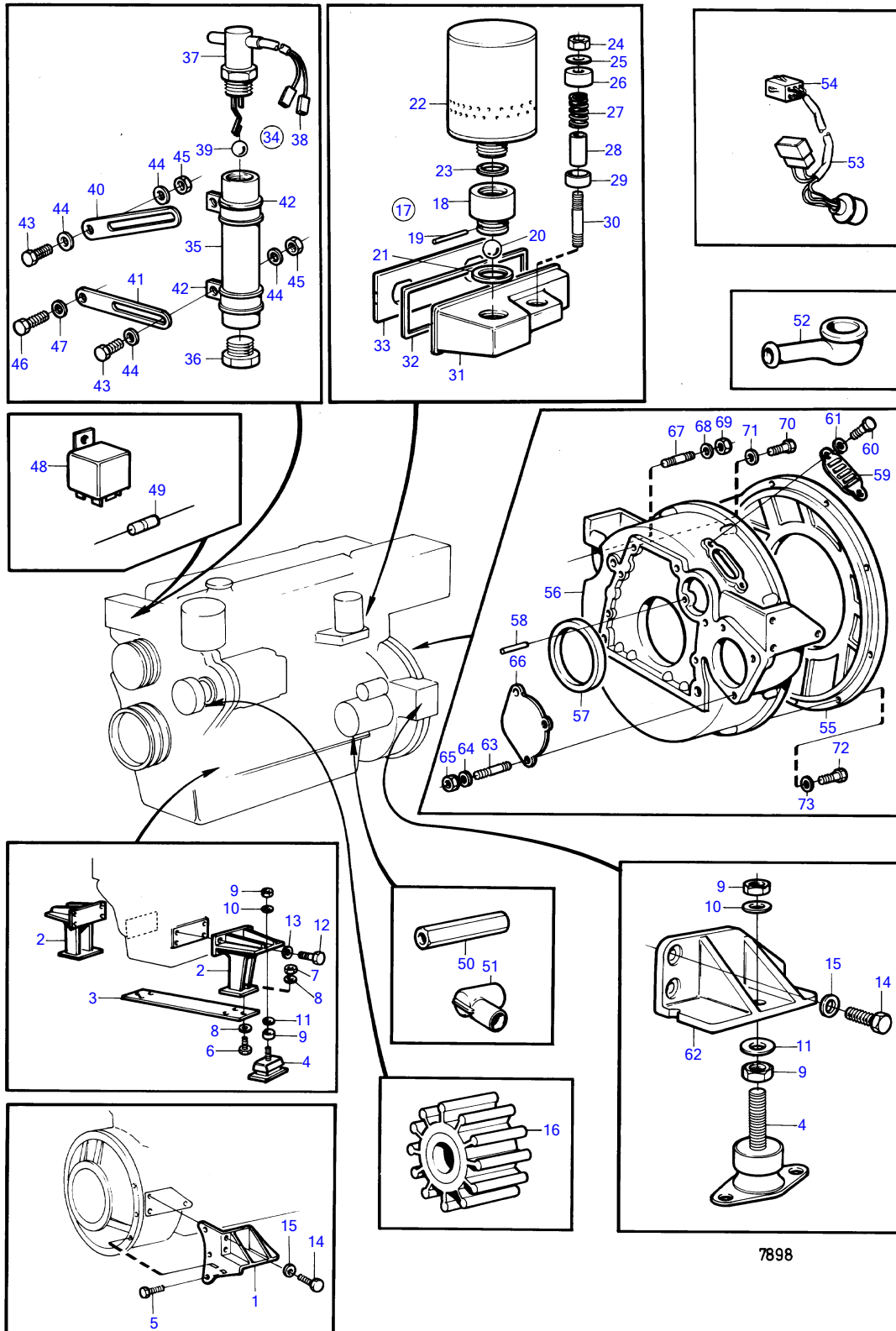


AD30A, AQAD30A, MD30A, TAMD30A, TMD30A



7898

AD30A, AQAD30A, MD30A, TAMD30A, TMD30A

| REF | PART NO. | QTY | DESCRIPTION | SEE SEC. | NOTES |
|-----|----------|-----|--------------------------|----------|---------------------------|
| 1 | 858157 | 1 | Bracket | | |
| 2 | 858158 | 2 | Bracket | | |
| 3 | 858159 | 1 | Bracket | | |
| 4 | 858160 | 4 | Rubber cushion | | |
| | | | Bulletin 44-26 | 44-26-EN | Reinforced Rubber Cushion |
| 5 | 965185 | 3 | Flange screw | | |
| 6 | 955342 | 6 | Hexagon screw | | |
| 7 | 955784 | 6 | Hexagon nut | | |
| 8 | 955897 | 12 | Washer | | |
| 9 | 955805 | 8 | Hexagon nut | | |
| 10 | 941912 | 4 | Spring washer | | |
| 11 | 191940 | 4 | Washer | | |
| 12 | 955340 | 8 | Hexagon screw | | |
| 13 | 940280 | 8 | Spring washer | | |
| 14 | 955341 | 6 | Hexagon screw | | |
| 15 | 940143 | 6 | Toothed washer | | |
| 16 | 858249 | 1 | Impeller | | |
| 17 | 858256 | 1 | Check valve | | |
| 18 | 858235 | 1 | • Check valve | | |
| 19 | 951971 | 1 | • Spring pin | | |
| 20 | 181501 | 1 | • Ball | | |
| 21 | 843449 | 1 | • Gasket | | |
| 22 | | X | FILTER | | SEE GROUP 2A |
| 23 | 843449 | 1 | Gasket | | |
| 24 | | 1 | NUT | | SEE GROUP 2A |
| 25 | | 1 | SEAL RING | | SEE GROUP 2A |
| 26 | | 1 | COVER | | SEE GROUP 2A |
| 27 | | 1 | SPRING | | SEE GROUP 2A |
| 28 | 834678 | 1 | Spacer sleeve | | |
| 29 | | 1 | VALVE DISC | | SEE GROUP 2A |
| 30 | | 1 | STUD BOLT | | SEE GROUP 2A |
| 31 | | 1 | HOUSING | | SEE GROUP 2A |
| 32 | | 1 | RUBBER SEAL | | SEE GROUP 2A |
| 33 | | 1 | SPLASH SHIELD | | SEE GROUP 2A |
| 34 | 858255 | 1 | Tilt monitor | | |
| 35 | 858169 | 1 | • Sleeve | | OBSOLETE PART |
| 36 | 914392 | 1 | • Plug | | |
| 37 | 858454 | 1 | • Switch | | |
| 38 | | X | • • CABLES AND TERMINALS | | SEE GROUP 3 |
| 39 | 181332 | 2 | • • • Ball | | OBSOLETE PART |
| 40 | 965537 | 1 | Bracket | | |
| 41 | 965534 | 1 | Bracket | | |
| 42 | 952635 | 2 | Clamp | | |
| 43 | 955271 | 3 | Hexagon screw | | |
| 44 | 955892 | 6 | Washer | | |
| 45 | 955781 | 3 | Hexagon nut | | |
| 46 | 955268 | 1 | Hexagon screw | | SEE GROUP 3 |
| 47 | 955892 | 1 | Washer | | SEE GROUP 3 |
| 48 | 837878 | 1 | Relay | | |
| 49 | 1518870 | 1 | Diode | | |
| 50 | 855330 | 1 | Nut | | |
| 51 | 855798 | 1 | Protecting sleeve | | |
| 52 | 76614 | 10 | Rubber collar | | |
| 53 | | 1 | CABLE KIT | | |
| 54 | | X | • CABLES AND TERMINALS | | SEE GROUP 3 |
| 55 | 858165 | 1 | Cardboard tube | | |
| 56 | 858164 | 1 | Flywheel housing | | |
| 57 | 1542204 | 1 | Sealing ring | | |
| 58 | 404069 | 1 | Pin | | |
| 59 | 407092 | 1 | Cover | | |
| 60 | 955269 | 2 | Hexagon screw | | |
| 61 | 941906 | 2 | Spring washer | | |

7744050-90-18253

7898

Upd:2010-07-01

AD30A, AQAD30A, MD30A, TAMD30A, TMD30A, AD30, AQAD30, MD30, TAMD30, TMD30



AD30A, AQAD30A, MD30A, TAMD30A, TMD30A

| REF | PART NO. | QTY | DESCRIPTION | SEE SEC. | NOTES |
|-----|----------|-----|----------------|----------|---------------|
| 62 | 829515 | 1 | Engine bracket | | |
| 63 | 953070 | 3 | Stud | | OBSOLETE PART |
| 64 | 941908 | 3 | Spring washer | | |
| 65 | 955786 | 3 | Hexagon nut | | |
| 66 | 423081 | X | Flange | | |
| 67 | 953067 | 3 | Stud | | |
| 68 | 941908 | 3 | Spring washer | | |
| 69 | 955783 | 3 | Hexagon nut | | |
| 70 | 955320 | 6 | Hexagon screw | | |
| | 955321 | 2 | Hexagon screw | | |
| 71 | 941908 | 8 | Spring washer | | |
| 72 | 955319 | 11 | Hexagon screw | | |
| 73 | 941908 | 11 | Spring washer | | |