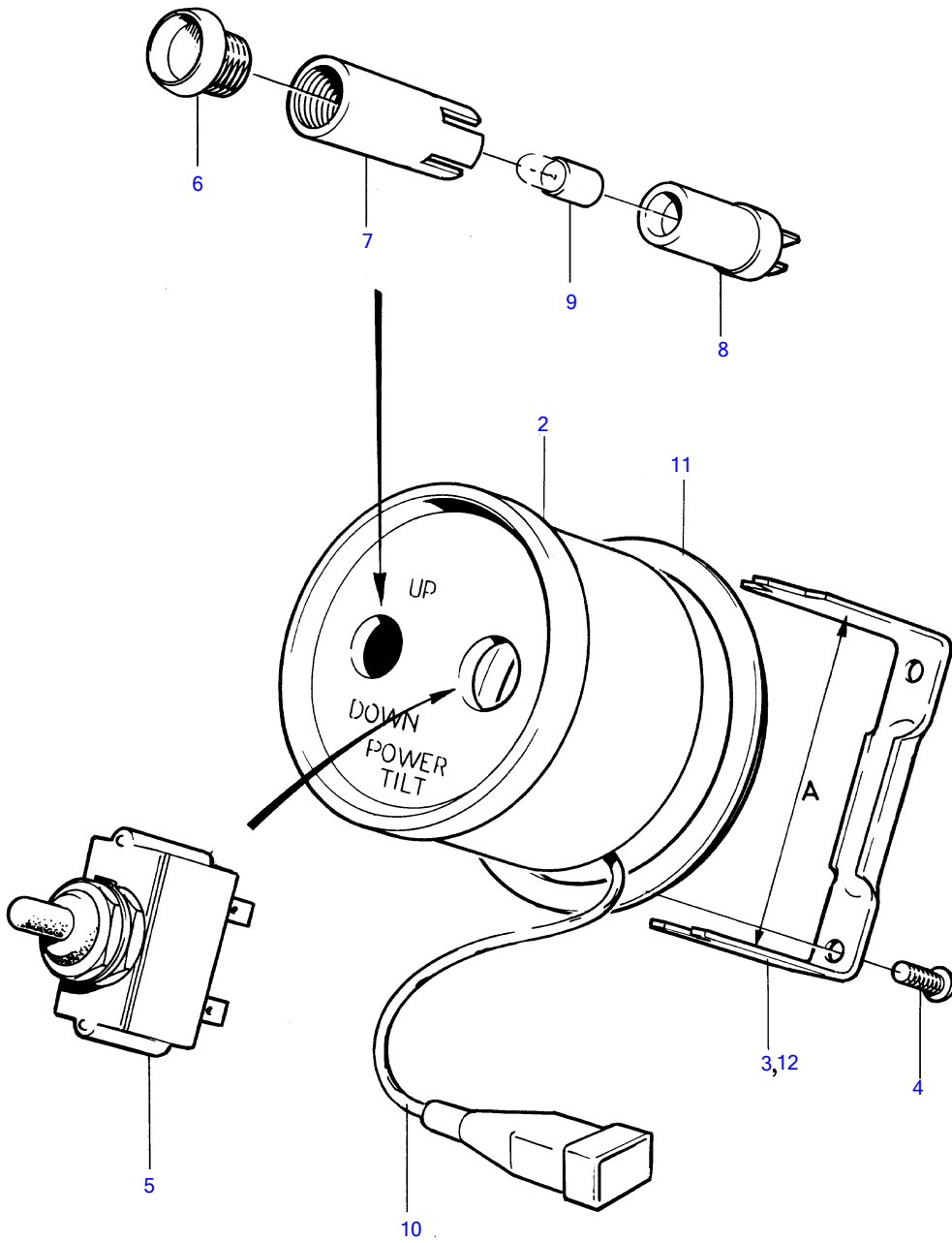


1



4656

AQAD30A

| REF | PART NO. | QTY | DESCRIPTION | NOTES |
|-----|----------|-----|--------------------------------|------------------------------|
| 1 | 850375 | 1 | Instrument panel | 12V |
| 2 | | 1 | • PANEL | |
| 3 | 850372 | 1 | • Attaching brace | A = 60 MM |
| 4 | 944201 | 2 | • Cross recessed screw | |
| 5 | 814322 | 1 | • Toggle switch | |
| 6 | 827766 | 1 | • Lens | |
| 7 | 819350 | 1 | • Sleeve | |
| 8 | 808175 | 1 | • Lamp socket | |
| 9 | 19923 | 1 | • Bulb | 12V |
| 10 | 839426 | 1 | • Cable | |
| | | | • • CABLES AND CABLE TERMINALS | SEE GROUP 3 |
| 11 | 843603 | 1 | Intermediate ring | ALT, OBSOLETE PART |
| 12 | 843602 | 1 | Attaching brace | ALT A = 65 MM, OBSOLETE PART |