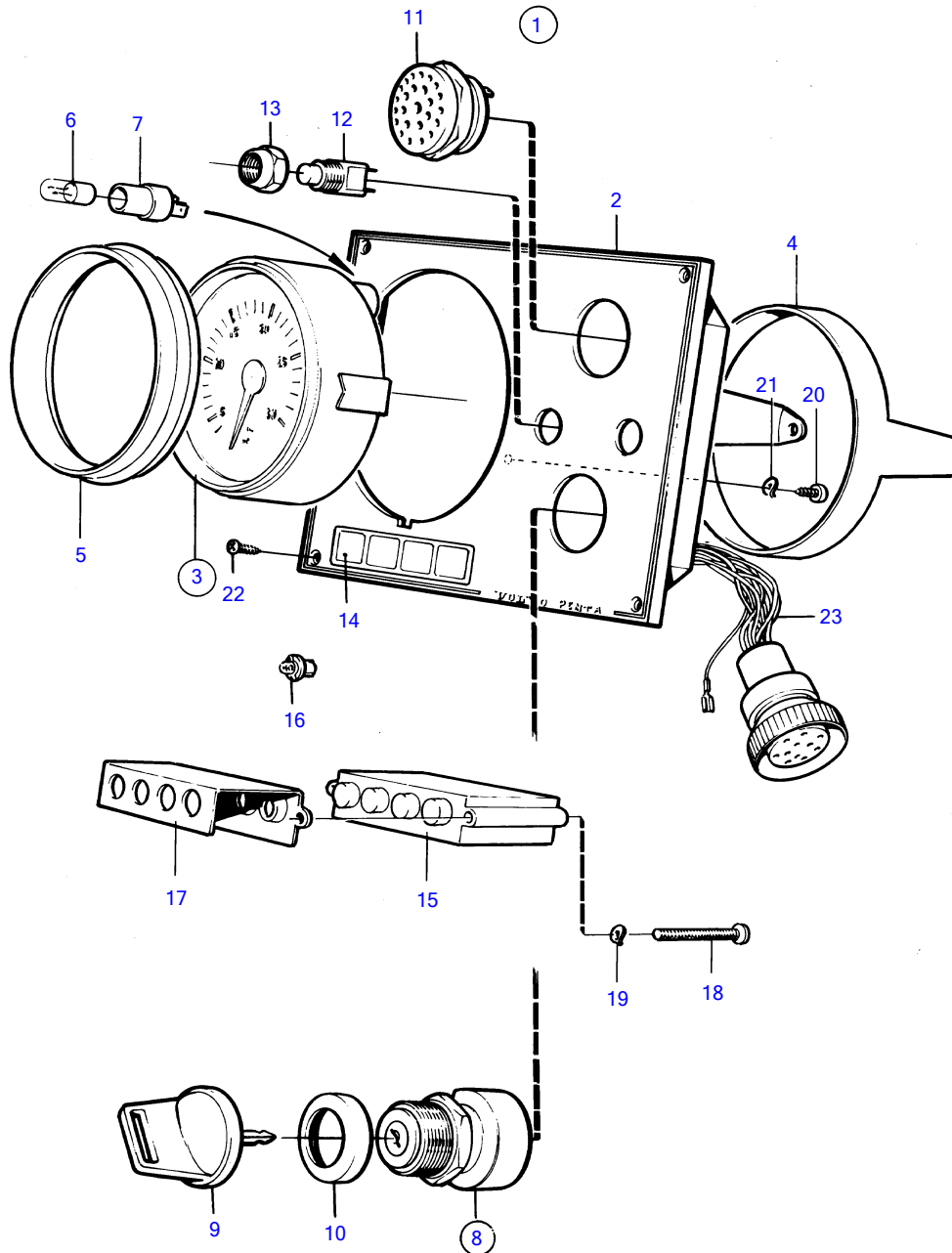


AD30A, AQAD30A, MD30A, TAMD30A, TMD30A



7492

AD30A, AQAD30A, MD30A, TAMD30A, TMD30A

REF	PART NO.	QTY	DESCRIPTION	SEE SEC.	NOTES
1	838927	1	Instrument panel		12V, OBSOLETE PART
2	828583	1	• Instrument panel		
3	828601	1	• Tachometer		REPL BY 858558
	858558	1	• Tachometer kit		
4	828558	1	• • Attaching ring		
5	828559	1	• Front ring		
6	19923	1	• Bulb		
7	808175	1	• Lamp socket		
8	828778	1	• Starter switch		
9	828676	2	• • Key		OBSOLETE PART
			Bulletin P-36-4-1	P-36-4-1-EN	Deleted Part No's for Keys
10	1581184	1	• Round nut		
11	828587	1	• Buzzer		
12	828584	1	• Toggle switch		ALARM
	828585	1	• Toggle switch		LIGHTING
13	828586	2	• Nut		
14	828560	1	• Symbol strip		
15	828783	1	• Electronic unit		
16	19923	4	• Bulb		
17	828784	1	• Reflector		
18	941615	2	• Cross recessed screw		
19	941904	2	• Spring washer		
20	949947	1	• Cross recessed screw		
21	941904	1	• Spring washer		
22	828647	4	• Screw		
23		X	• CABLES AND TERMINALS		SEE GROUP 3