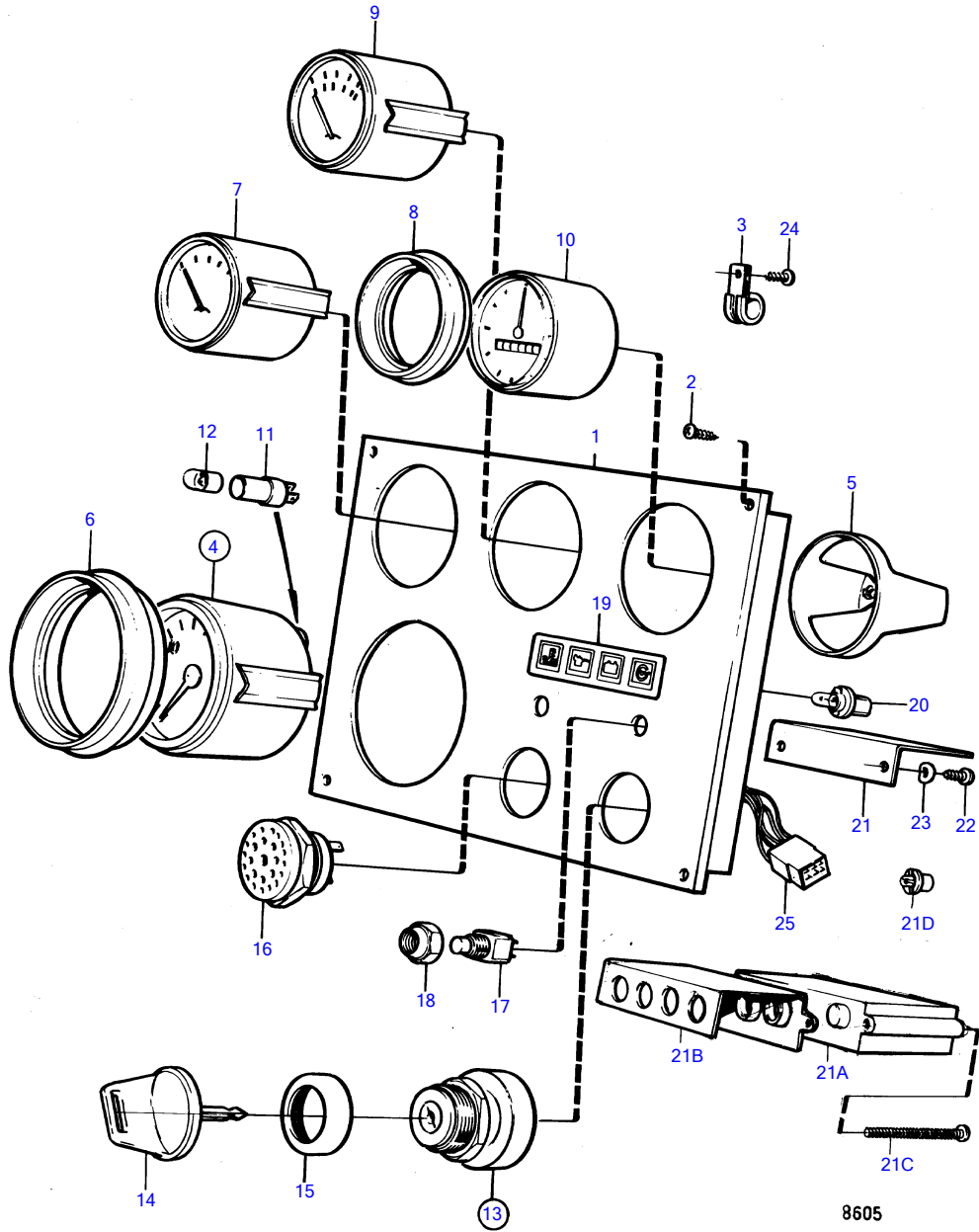


AD30A, AQAD30A, MD30A, TAMD30A, TMD30A



AD30A, AQAD30A, MD30A, TAMD30A, TMD30A

REF	PART NO.	QTY	DESCRIPTION	SEE SEC.	NOTES
1	828588	1	Instrument panel		
2	828647	4	Screw		
3	952629	1	Clamp		
4	828601	1	Tachometer		REPL BY 858558
	858558	1	Tachometer kit		
5	828558	1	• Attaching ring		
6	828559	1	Front ring		
7	828612	1	Thermometer		
8	828542	3	Front ring		
9	828618	1	Instrument		
10	828628	1	Voltmeter		
11	808175	4	Lamp socket		
12	19923	4	Bulb		
13	828778	1	Starter switch		
14	828676	2	• Key		STATE KEY CODE WHEN ORDERING., OBSOLETE PART
			Bulletin P-36-4-1	P-36-4-1-EN	Deleted Part No's for Keys
15	1581184	1	Round nut		
16	828587	1	Buzzer		
17	828584	1	Toggle switch		ALARM
	828585	1	Toggle switch		
18	828586	2	Nut		
19	828560	1	Symbol strip		
20	966326	4	Bulb		
21	828605	1	Circuit board		REPLACED BY 1EA ELECTRONIC UNIT-828783,1EA REFLECTOR -828784,2EA SCREW-941615 AND 4EA BULB-19923.
21A	828783	1	Electronic unit		
21B	828784	1	Reflector		
21C	941615	2	Cross recessed screw		
21D	19923	4	Bulb		
22	941610	2	Cross recessed screw		
23	941904	2	Spring washer		
24	949947	1	Cross recessed screw		(966832)
25	828646	1	Cable trunk		
		X	CABLES AND TERMINALS		SEE GROUP 3