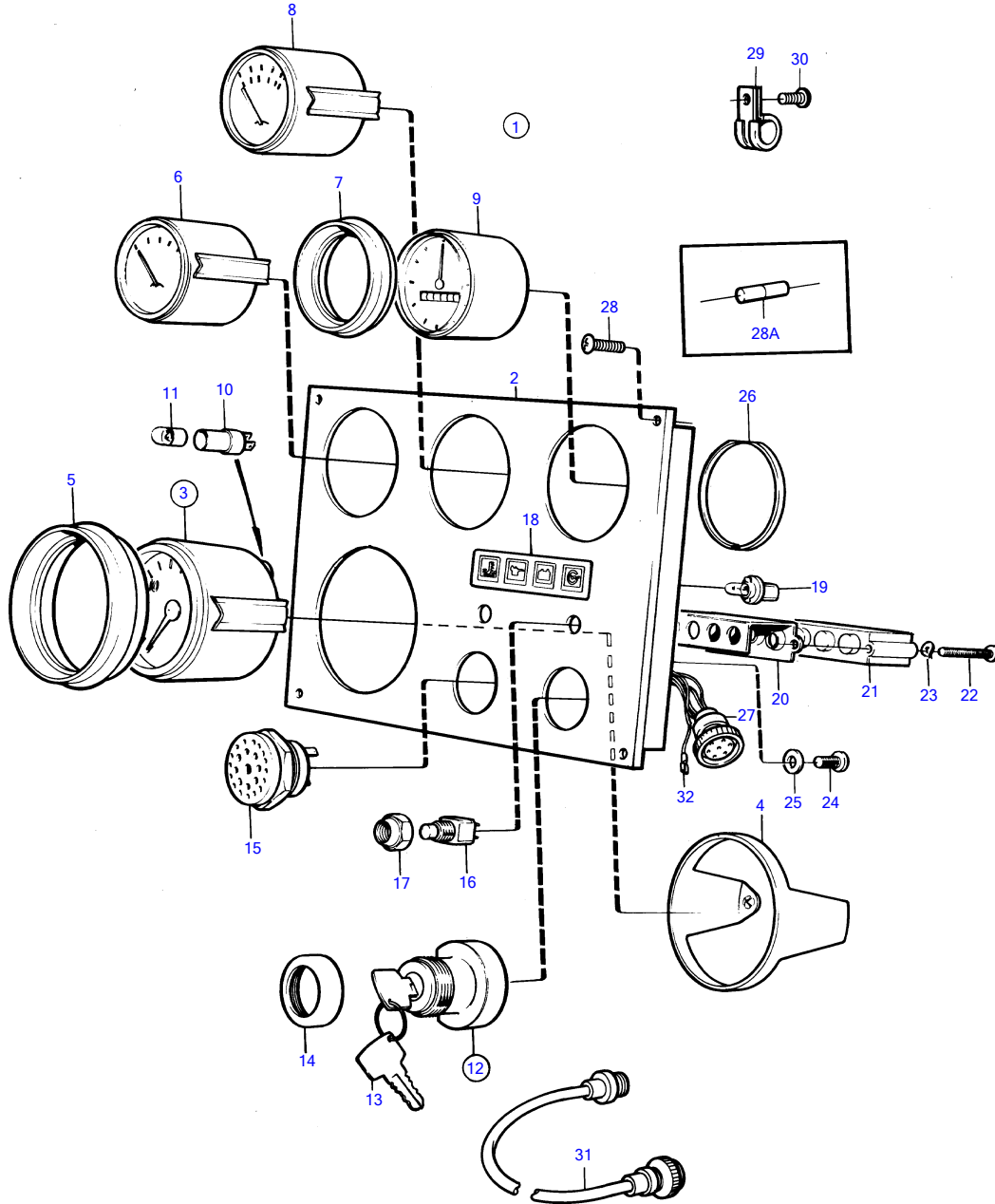


AD30A, AQAD30A, MD30A, TAMD30A, TMD30A



7699

AD30A, AQAD30A, MD30A, TAMD30A, TMD30A

REF	PART NO.	QTY	DESCRIPTION	SEE SEC.	NOTES
1	858036	1	Instrument panel		24V, OBSOLETE PART
2	828588	1	• Instrument panel		
3	838941	1	• Tachometer		
4	828558	1	• • Attaching ring		
5	828559	1	• Front ring		
6	828613	1	• Thermometer		
7	828542	3	• Front ring		
8	828619	1	• Oil pressure gauge		
9	828630	1	• Voltmeter		
10	808175	4	• Lamp socket		
11	182059	4	• Bulb		
12	828778	1	• Starter switch		
13	828676	2	• • Key		OBSOLETE PART
			Bulletin P-36-4-1	P-36-4-1-EN	Deleted Part No's for Keys
14	1581184	1	• Round nut		
15	828587	1	• Buzzer		
16	828584	1	• Toggle switch		TEST ALARM
	828585	1	• Toggle switch		
17	828586	2	• Nut		
18	828560	1	• Symbol strip		
19	828818	4	• Bulb		
20	828784	1	• Reflector		
21	828783	1	• Electronic unit		
22	941615	2	• Cross recessed screw		
23	941904	2	• Spring washer		
24	949947	1	• Cross recessed screw		
25	941904	1	• Spring washer		
26	828803	3	• Guide ring		
27	858035	1	• Cable kit		OBSOLETE PART
28	828647	4	• Screw		
28A	1518870	3	• Diode		
29	952629	X	Clamp		
30	949947	X	Cross recessed screw		
31	846648	X	Extension cable'verl		L = 3000 MM
	846649	X	Extension cable'verl		L = 5000 MM
	846650	X	Extension cable'verl		L = 7000 MM
32		X	CABLES AND TERMINALS		SEE GROUP 3