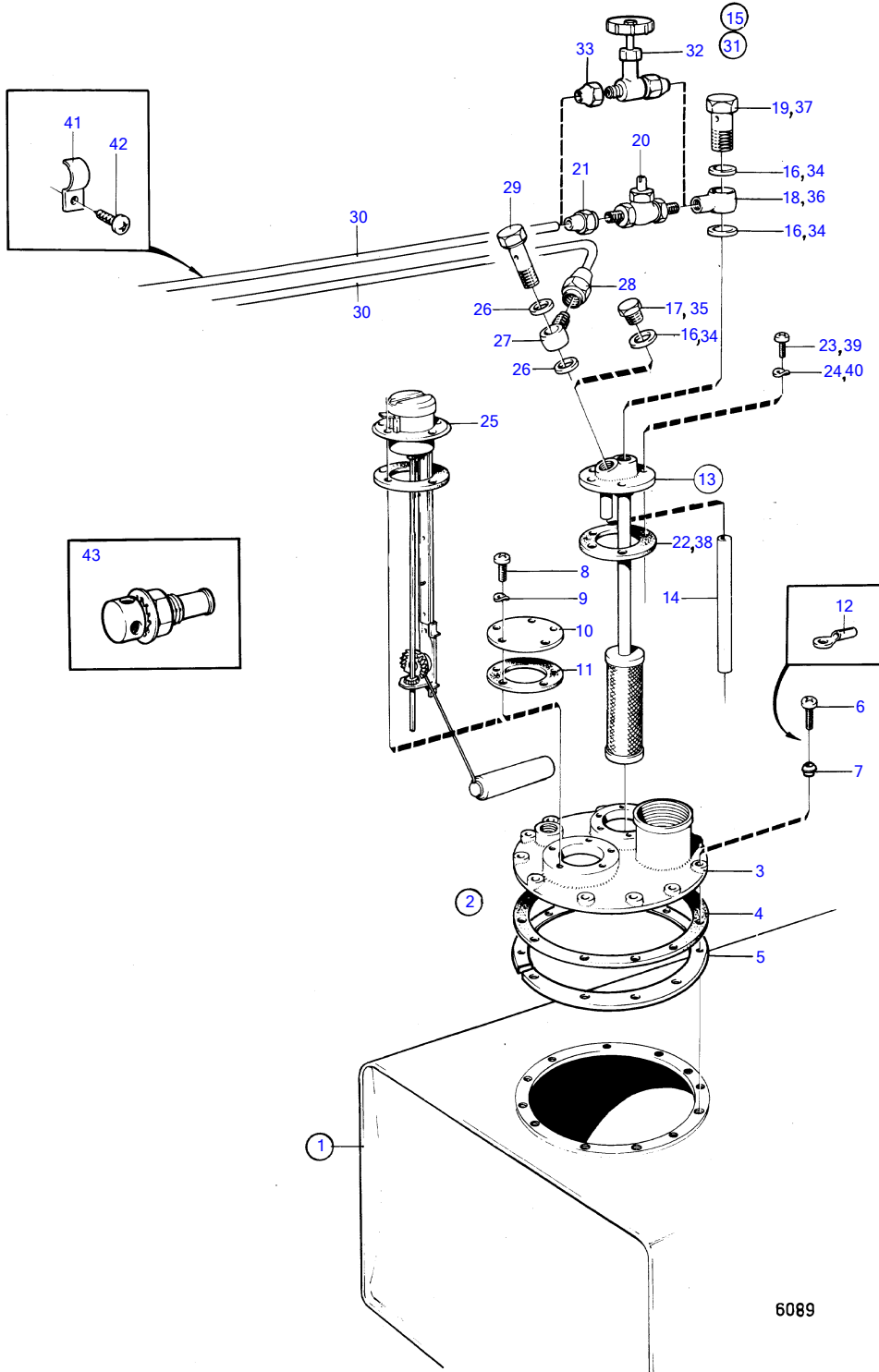


AD30A, AQAD30A, MD30A, TAMD30A, TMD30A



6089

AD30A, AQAD30A, MD30A, TAMD30A, TMD30A

REF	PART NO.	QTY	DESCRIPTION	SEE SEC.	NOTES
1	828340	1	Fuel tank		40L, OBSOLETE PART
2	828371	1	• Cover		
3	833799	1	• • Cardboard tube		
4	833800	1	• • Gasket		
5		1	• • FLANGE		EXTRA FLANGE FOR DIFFERENT TYPE OF TANK THAN 828340.
6	956080	12	• • Cross recessed screw		
7	834481	12	• • Gasket		
8	956076	5	• • Cross recessed screw		
9	941905	5	• • Spring washer		
10	833801	1	• • Cardboard tube		
11	89865	1	• • Gasket		
12	881493	1	• • Cable terminal		SEE GROUP 3
13	828341	1	• Suction pipe		L = 242 MM
	828372	1	• Suction pipe		L = 333 MM
	828373	1	• Suction pipe		L = 458 MM
14	941279	X	• • Hose		
15	828375	1	• Connector kit		5/16", OBSOLETE PART
16	957178	3	• • Gasket		
17	191830	1	• • Plug		
18	833857	1	• • Banjo nipple		
19	25167	1	• • Hollow screw		
20	803684	1	• • Shut-off cock		OBSOLETE PART
21	954322	1	• • • Fitting nut		
22	89865	1	• • Gasket		
23	956076	5	• • Cross recessed screw		L = 12 MM
	956080	5	• • Cross recessed screw		L = 22 MM
24	941905	5	• • Spring washer		
25		1	TANK GAUGE EARLY TYPE	18268	
		1	TANK GAUGE LATE TYPE	18269	
26	957178	2	Gasket		
27	807060	1	Banjo nipple		
28	807061	1	Cap nut		
29	25167	1	Hollow screw		
30	828227	X	Copper tube		5/16", L=3000MM
	954307	X	Tube		3/8"
			FUEL LINE KIT	18264	
31	828376	1	Connector kit		3/8", OBSOLETE PART
32	841523	1	• Faucet		
33	954323	3	• Fitting nut		3/8"
34	957178	3	• Gasket		
35	191830	1	• Plug		
36	191600	1	• Banjo nipple		3/8"
37	25167	1	• Hollow screw		
38	89865	1	• Gasket		
39	956076	5	• Cross recessed screw		L = 12 MM
	956080	5	• Cross recessed screw		L = 22 MM
40	941905	5	• Spring washer		
41	951189	X	Clamp		
42	955139	X	Cross recessed screw		
43	1144037	1	Tank valve		5/8", OBSOLETE PART