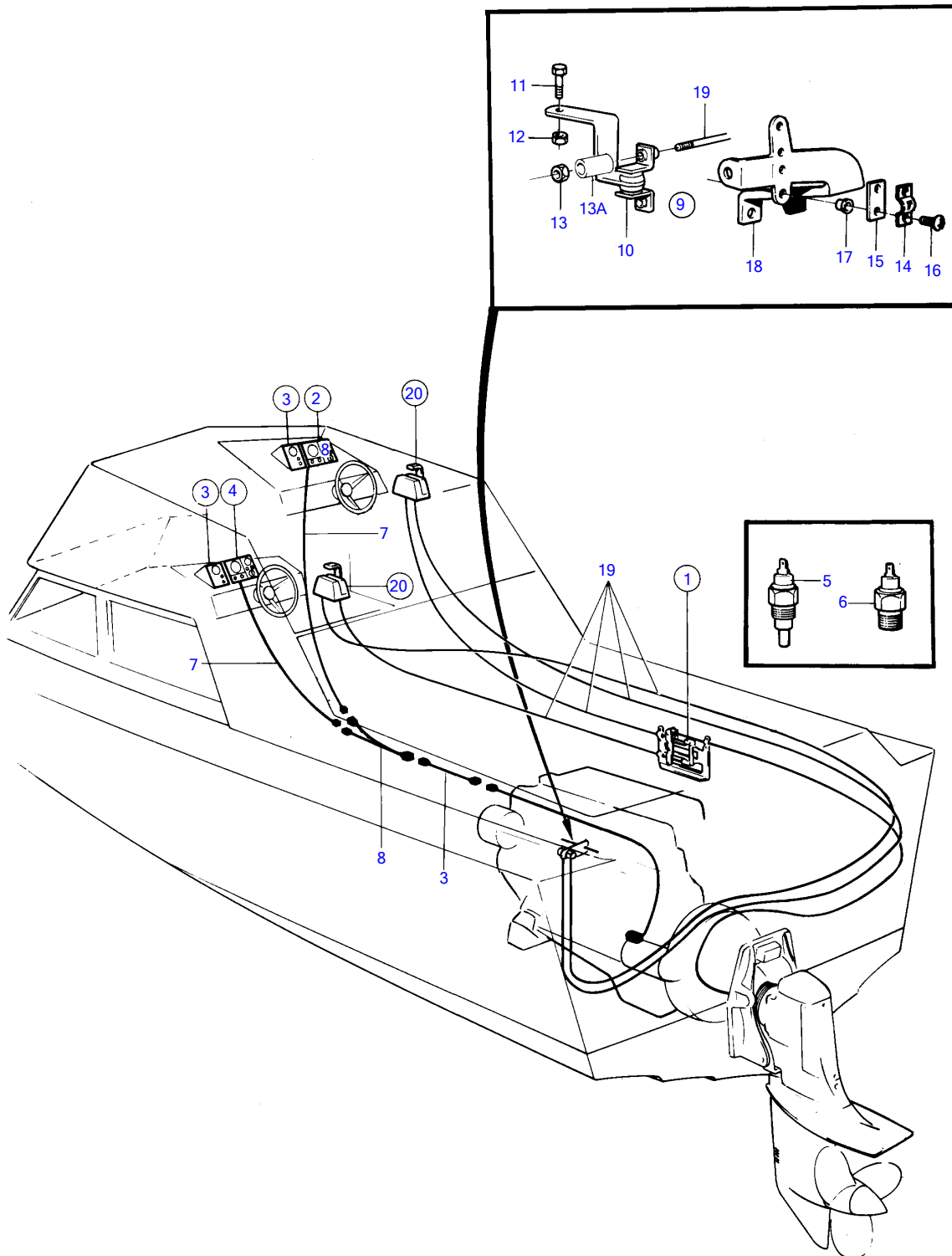


AD30A, AQAD30A, MD30A, TAMD30A, TMD30A



7761

AD30A, AQAD30A, MD30A, TAMD30A, TMD30A

REF	PART NO.	QTY	DESCRIPTION	SEE SEC.	NOTES
1	828164	1	Connection plate	18250	
2		1	INSTRUMENT PANEL		SEE GROUP 3
3		1	INSTRUMENT PANEL		FOR LIFT DEVICE.
4		1	INSTRUMENT PANEL	18246	SEE GROUP 3
5		1	TEMPERATURE SENDER		SEE GROUP 3
6		1	OIL PRESSURE SENDER		SEE GROUP 3
7		X	CABLE UNIT		SEE GROUP 3
8		1	CABLE UNIT		SEE GROUP 3
9	843551	1	Control		
10	844035	1	• Control arm		OBSOLETE PART
11	955270	1	• Hexagon screw		
12	946035	1	• Lock nut		
13	955844	4	• Hexagon nut		
13A	841035	2	• Spacer sleeve		
14	21471054	1	• Bracket		
15	819068	1	• Washer		
16	956079	2	• Cross recessed screw		
17	843108	2	• Bushing		
18	842996	1	Bracket		SEE GROUP 2D
19		X	CONTROL CABLE	18281	
20		X	CONTROL	18274	
				18276	