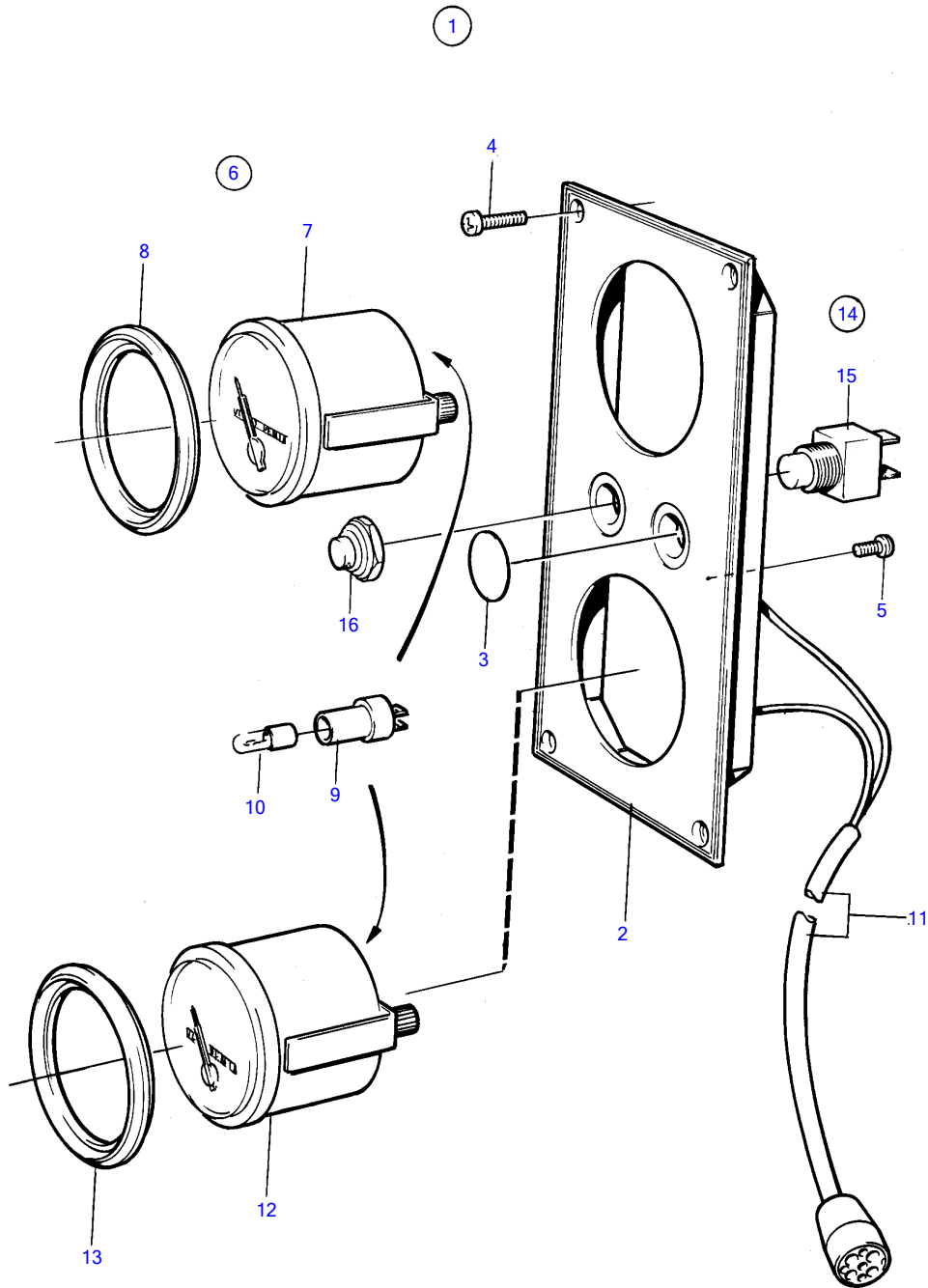


AD30A, AQAD30A, MD30A, TAM30A, TMD30A



6709

AD30A, AQAD30A, MD30A, TAMD30A, TMD30A

REF	PART NO.	QTY	DESCRIPTION	NOTES
6	858877	1	Hour counter kit	
7	828615	1	• Hour counter	
8	858643	1	• Front ring	WHITE COLOURED DECOR STRIPE.
9	808175	1	• Lamp socket	
10	19923	1	• Bulb	12V
	182059	1	• Bulb	24V
11		X	• CABLES AND TERMINALS	SEE GROUP 3
12		1	INSTRUMENT	*
13	858643	1	Front ring	WHITE COLOURED DECOR STRIPE.
14	828718	1	Toggle switch	
	828719	1	Toggle switch	
15	828584	1	• Toggle switch	CLOSING DURING PRESSURE AND SPRING-LOADED., TO 828718
	828585	1	• Toggle switch	CLOSING-BREAKING., TO 828719
16	828586	1	• Nut	

7744050-90-18288D

6709

Upd:2010-07-01

AD30A, AQAD30A, MD30A, TAMD30A, TMD30A, AD30, AQAD30, MD30, TAMD30, TMD30