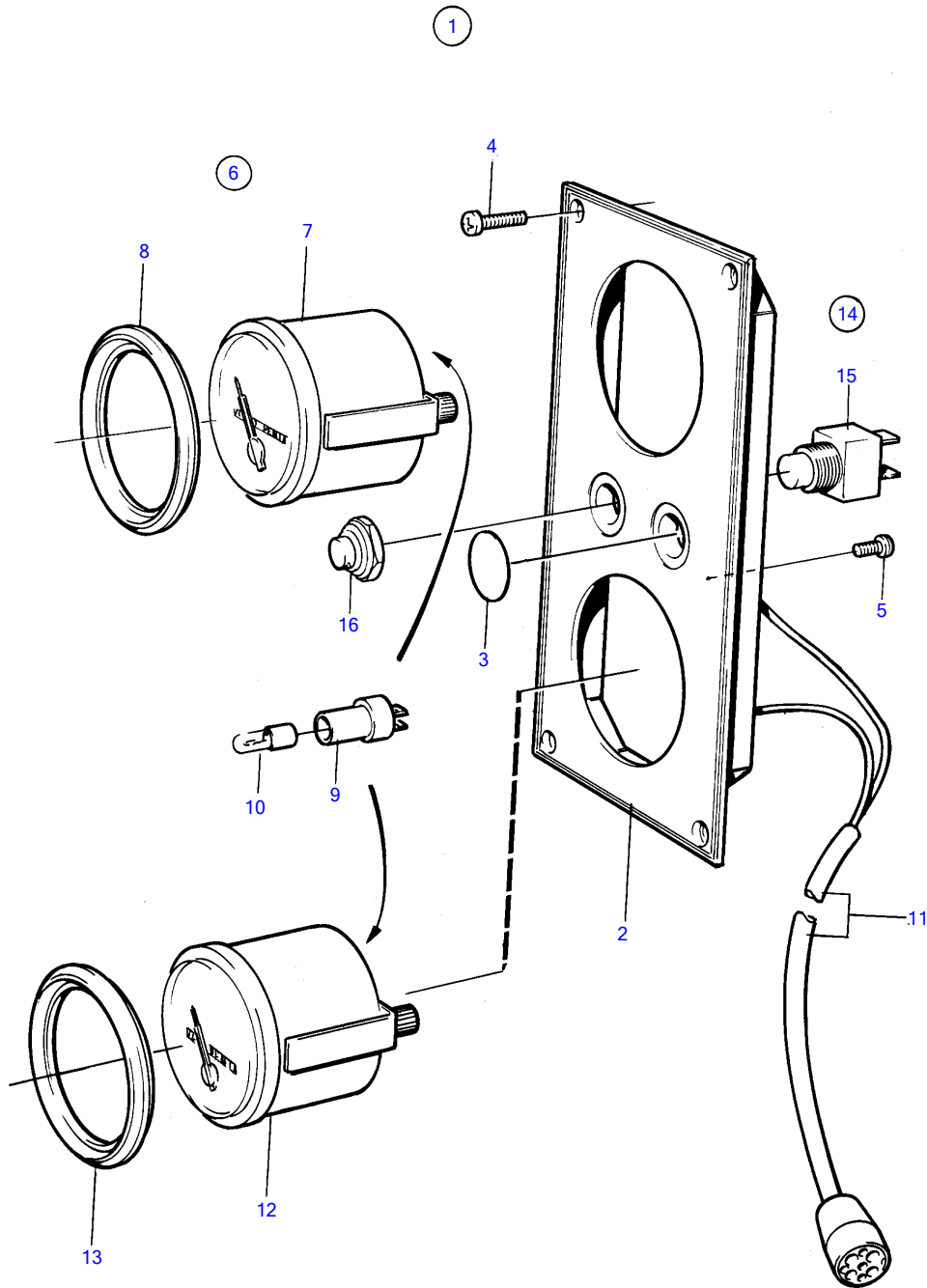


AD30A, AQAD30A, MD30A, TAM30A, TMD30A



6709

AD30A, AQAD30A, MD30A, TAMD30A, TMD30A

REF	PART NO.	QTY	DESCRIPTION	NOTES
1	846786	1	Instrument panel	REPL BY 858874
2	828604	1	• Instrument panel	OBSOLETE PART
3	828607	2	• Cover plate	
4	828647	4	• Screw	
5	949947	1	• Cross recessed screw	(966832)
12		1	INSTRUMENT	*
13	828542	1	Front ring	GOLD COLOURED DECOR STRIPE.
14	828718	1	Toggle switch	
	828719	1	Toggle switch	
15	828584	1	• Toggle switch	CLOSING DURING PRESSURE AND SPRING-LOADED., TO 828718
	828585	1	• Toggle switch	CLOSING-BREAKING., TO 828719
16	828586	1	• Nut	