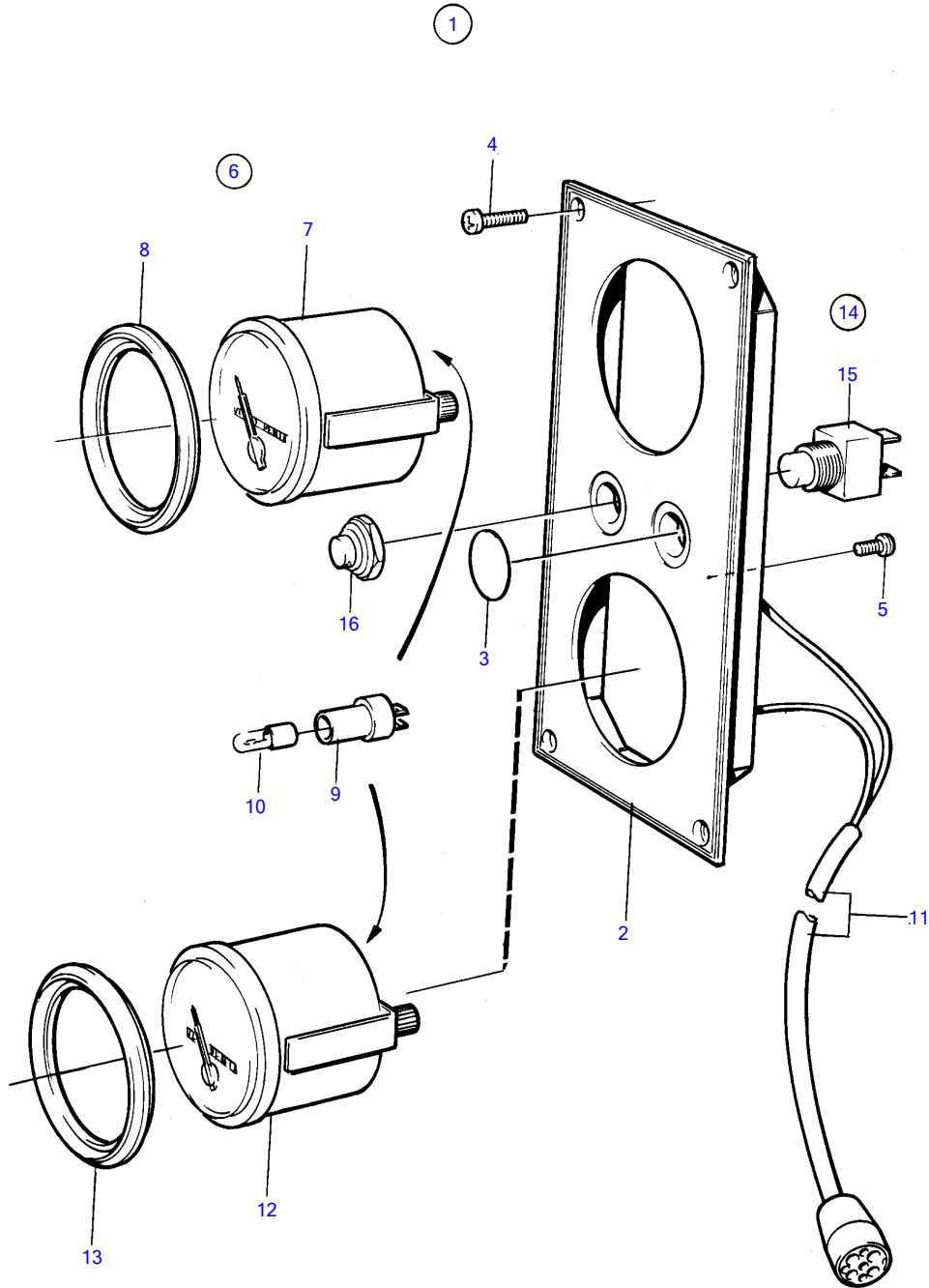


AD30A, AQAD30A, MD30A, TAM30A, TMD30A



6709

AD30A, AQAD30A, MD30A, TAMD30A, TMD30A

| REF | PART NO. | QTY | DESCRIPTION | NOTES |
|-----|----------|-----|------------------------|---|
| 6 | 828711 | 1 | Hour counter kit | REPL BY 858877 |
| 7 | 828615 | 1 | • Hour counter | |
| 8 | 828542 | 1 | • Front ring | GOLD COLOURED DECOR STRIPE. |
| 9 | 808175 | 1 | • Lamp socket | |
| 10 | 19923 | 1 | • Bulb | 12V |
| | 182059 | 1 | • Bulb | 24V |
| 11 | | X | • CABLES AND TERMINALS | SEE GROUP 3 |
| 12 | | 1 | INSTRUMENT | * |
| 13 | 828542 | 1 | Front ring | GOLD COLOURED DECOR STRIPE. |
| 14 | 828718 | 1 | Toggle switch | |
| | 828719 | 1 | Toggle switch | |
| 15 | 828584 | 1 | • Toggle switch | CLOSING DURING PRESSURE AND SPRING-LOADED., TO 828718 |
| | 828585 | 1 | • Toggle switch | CLOSING-BREAKING., TO 828719 |
| 16 | 828586 | 1 | • Nut | |