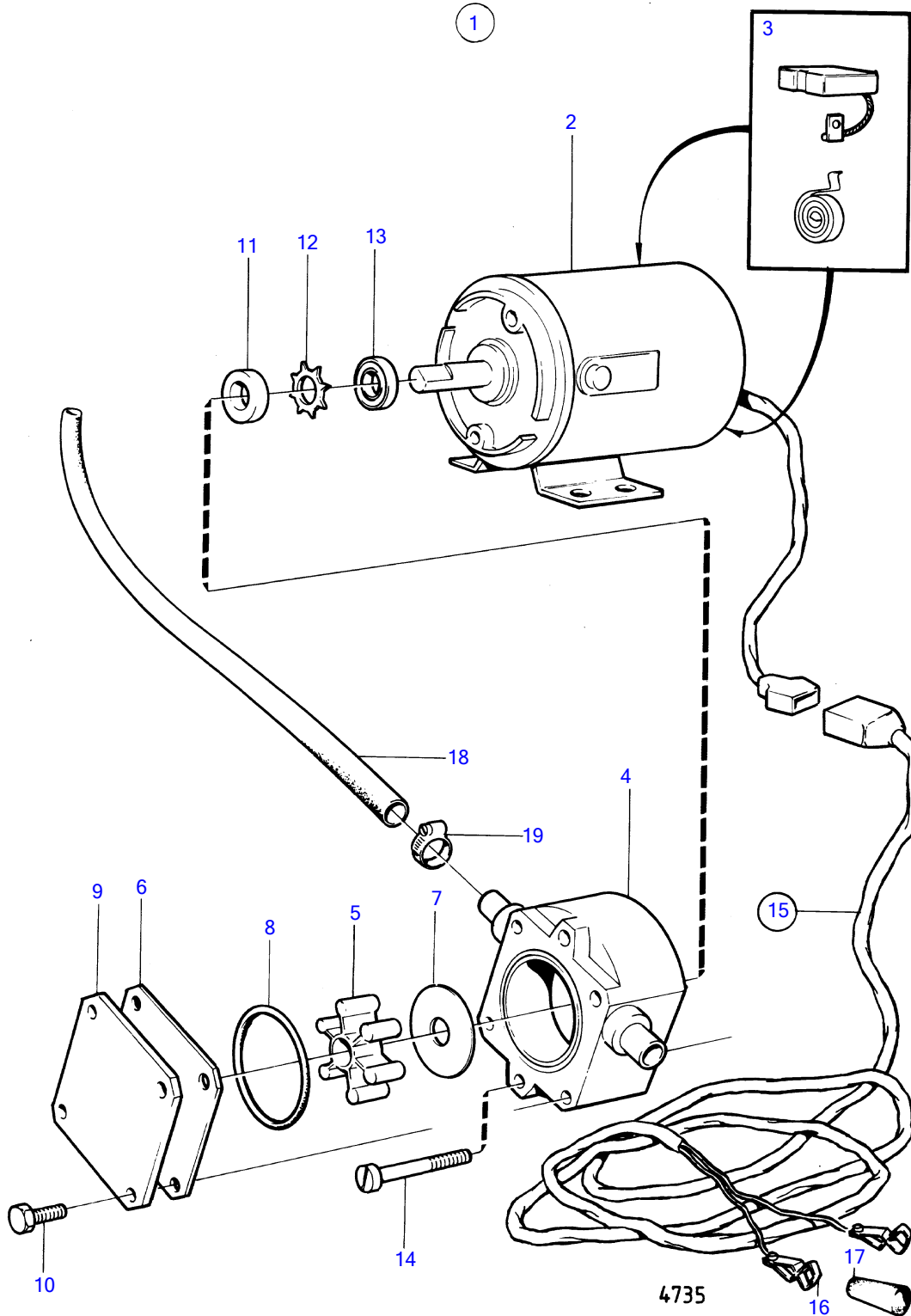


AD30A, AQAD30A, MD30A, TAMD30A, TMD30A



AD30A, AQAD30A, MD30A, TAMD30A, TMD30A

REF	PART NO.	QTY	DESCRIPTION	NOTES
1	843114	1	Oil bilge pump	12V
2		1	• EL MOTOR	
3	844014	2	• Carbon brush set	OBSOLETE PART
4	844015	1	Pump housing	OBSOLETE PART
5		1	IMPELLER	
6	844017	1	Wear washer	
7	844016	1	Wear washer	
8		1	O-RING	
9	844018	1	Cardboard tube	
10	844021	4	Screw	
11		1	SEAL RING	
12		1	LOCK WASHER	
13	844019	1	Oil deflector ring	
14	844020	2	Screw	
15	843113	1	Cable trunk	
16		1	• BATTERY TERMINAL	REPLAC%E1 PAR 1EA 844280 1EA 844278, + (843111)
		1	• BATTERY TERMINAL	REPLACED BY 1EA 844280, 1EA 844279., (843112)
	844280	2	• Clip	LATE TYPE
17	844279	1	• Isolation	LATE TYPE BLACK, OBSOLETE PART
	844278	1	• Isolation	LATE TYPE RED, OBSOLETE PART
18	943707	X	Hose	L = 3000 MM
19	943471	3	Hose clamp	
	844022	1	Impeller kit	