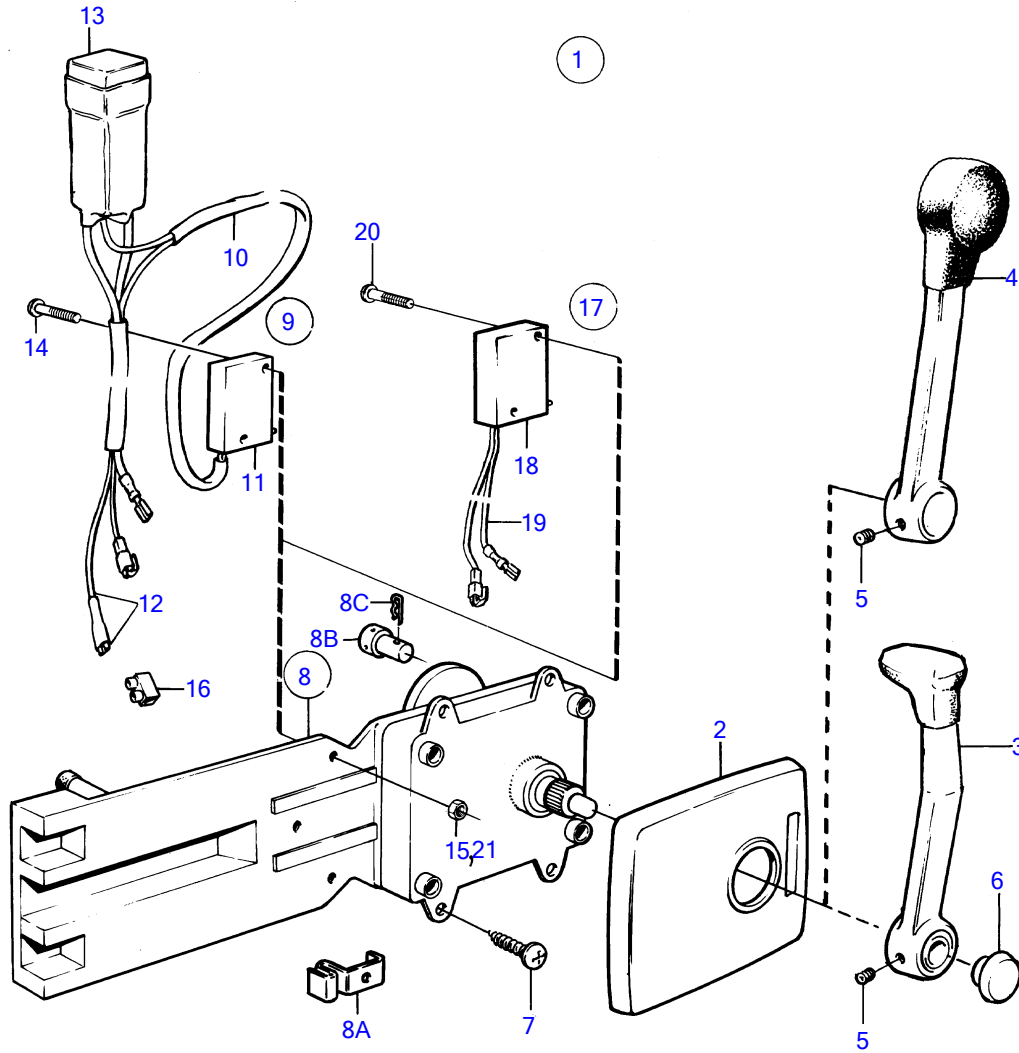


AD30A, AQAD30A, MD30A, TAM30A, TMD30A



8302

AD30A, AQAD30A, MD30A, TAMD30A, TMD30A

REF	PART NO.	QTY	DESCRIPTION	NOTES
1	853102	1	Mounting kit	FOR MOTOR BOAT.
2	839518	1	• Cover	
3		1	• Lever	
5	963678	1	Hex. socket screw	
6	853004	1	• Push button	
7	955142	4	• Cross recessed screw	
8	851601	1	Control	
8A	853423	1	• Retainer	
8B	839638	2	• Cube	
8C	17253	2	• Split pin	
9	839641	1	Neutral position con	MAIN STATION.
10	839619	1	• Cable kit	OBSOLETE PART
11		1	• • SWITCH	
12		X	• • CABLES AND TERMINALS	SEE GROUP 3
13	1501832	1	• Relay	
14	946177	2	• Cross recessed screw	
15	947536	2	• Hexagon nut	
16		1	• Coupling piece	
17	828414	1	Neutral position con	MAIN STATION.
	828378	1	Switch	SECOND STATION.
18	850200	1	• Toggle switch	
19		X	• CABLES AND TERMINALS	SEE GROUP 3
20	946177	2	• Cross recessed screw	
21	947536	2	• Hexagon nut	