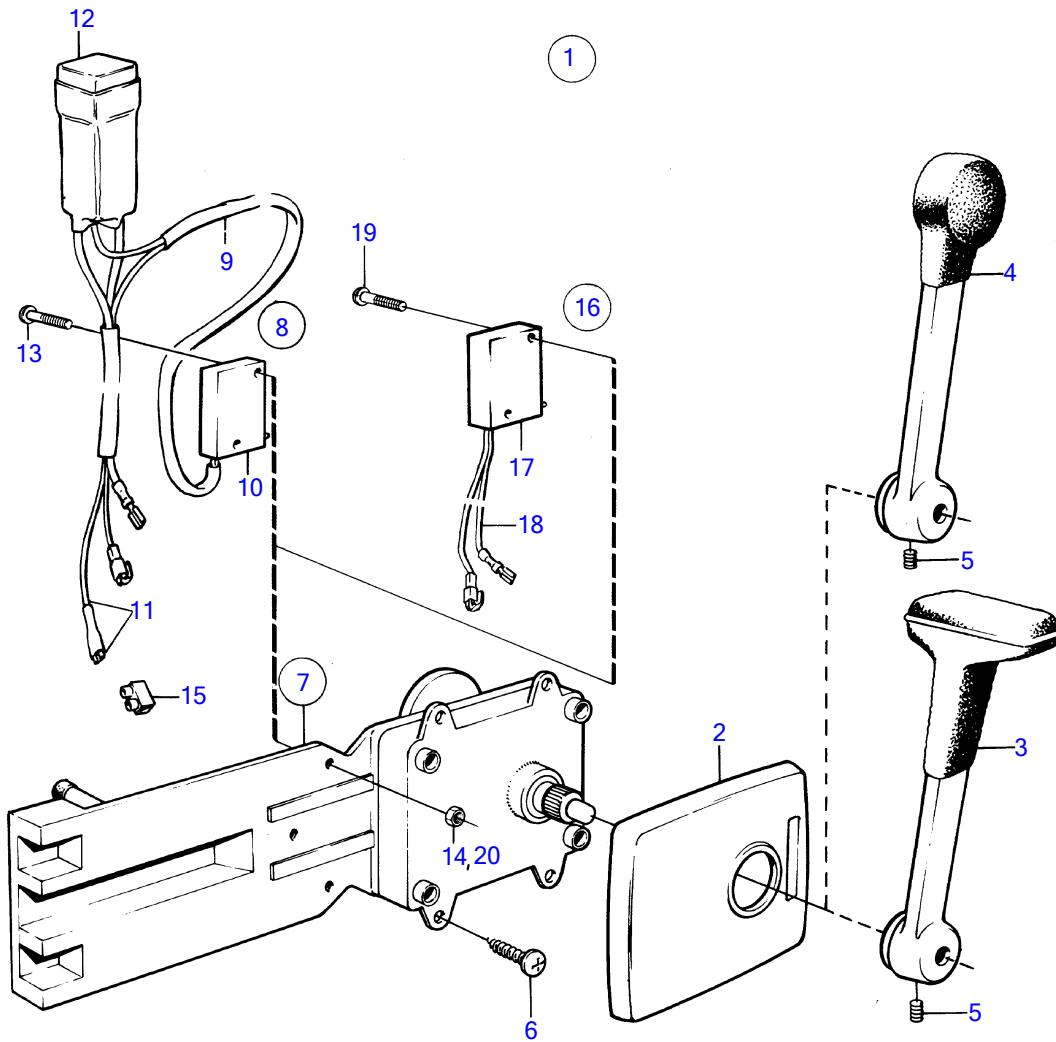


AD30A, AQAD30A, MD30A, TAMD30A, TMD30A



4806

AD30A, AQAD30A, MD30A, TAMD30A, TMD30A

REF	PART NO.	QTY	DESCRIPTION	NOTES
1	839516	1	Mounting kit	FOR SAIL BOAT., REPL BY 851605
2	839518	1	• Cover	
4	839521	1	• Hand lever	FOR SAIL BOAT.
5	946786	1	• Lock screw	M5, OBSOLETE PART
	839693	1	• Lock screw	M8
6	955142	4	• Cross recessed screw	
7	839469	1	Control	TOP-MOUNTED REPLACED BY 851600., SIDE-MOUNTED REPLACED BY 851601.
8	839641	1	Neutral position con	MAIN STATION.
9	839619	1	• Cable kit	OBSOLETE PART
10	850200	1	• • Toggle switch	
11		X	• • CABLES AND TERMINALS	SEE GROUP 3
12	876037	1	• Relay kit	(839367)
13	946177	2	• Cross recessed screw	
14	947536	2	• Hexagon nut	
15		1	• Coupling piece	
16	828414	1	Neutral position con	D40., MAIN STATION.
	828378	1	Switch	D40., SECOND STATION.
17	850200	1	• Toggle switch	
18		X	• • CABLES AND TERMINALS	SEE GROUP 3
19	946177	2	• Cross recessed screw	
20	947536	2	• Hexagon nut	