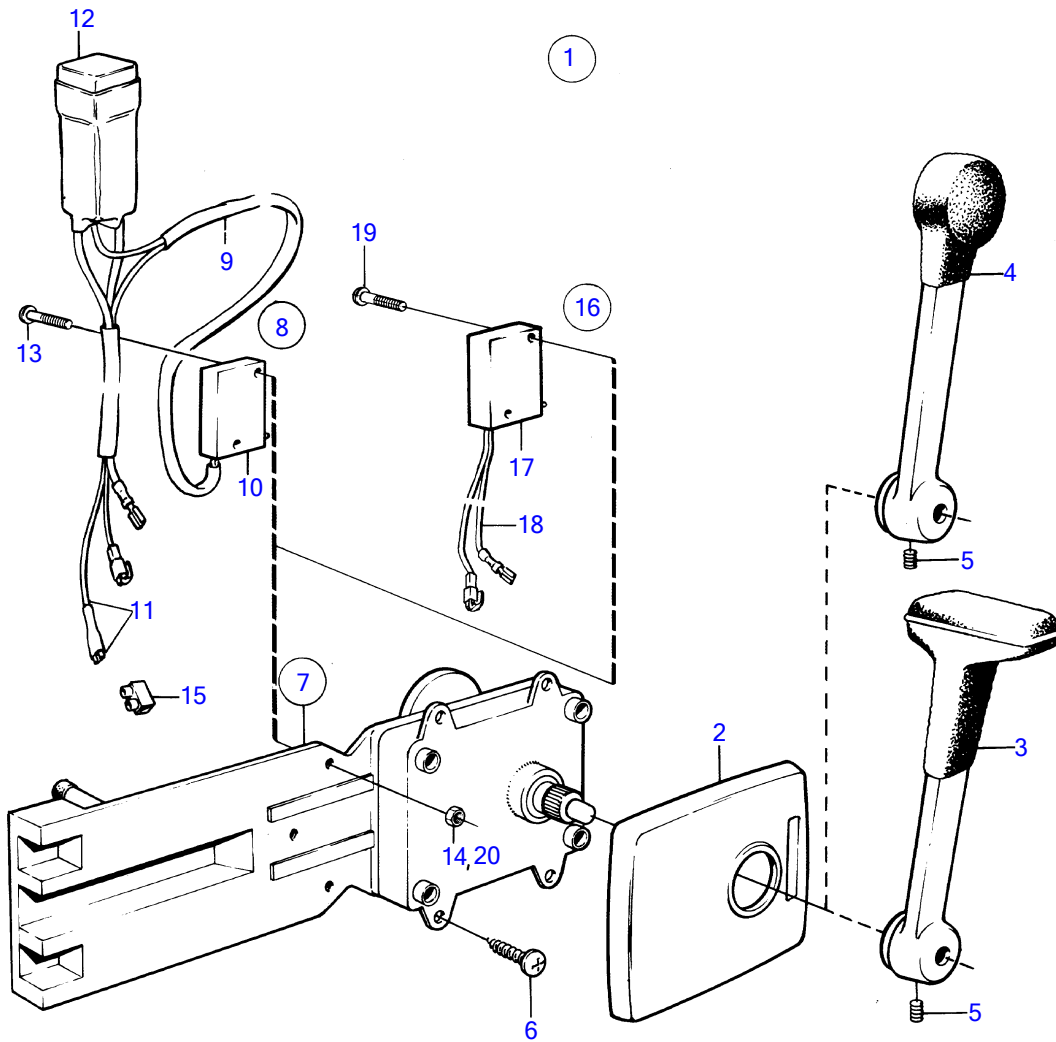


AD30A, AQAD30A, MD30A, TAMD30A, TMD30A



4806

AD30A, AQAD30A, MD30A, TAMD30A, TMD30A

REF	PART NO.	QTY	DESCRIPTION	SEE SEC.	NOTES
1	839515	1	Mounting kit		REPL BY 851604
2	839518	1	• Cover		
3	839520	1	• Hand lever		
5	946786	1	• Lock screw		M5, OBSOLETE PART
	839693	1	• Lock screw		M8
6	955142	4	• Cross recessed screw		
7	839469	1	Control		TOP-MOUNTED REPLACED BY 851600., SIDE-MOUNTED REPLACED BY 851601.
				18279	
8	839641	1	Neutral position con		MAIN STATION.
9	839619	1	• Cable kit		OBSOLETE PART
10	850200	1	• • Toggle switch		
11		X	• • CABLES AND TERMINALS		SEE GROUP 3
12	876037	1	• Relay kit		(839367)
13	946177	2	• Cross recessed screw		
14	947536	2	• Hexagon nut		
15		1	• Coupling piece		
16	828414	1	Neutral position con		D40., MAIN STATION.
	828378	1	Switch		D40., SECOND STATION.
17	850200	1	• Toggle switch		
18		X	• • CABLES AND TERMINALS		SEE GROUP 3
19	946177	2	• Cross recessed screw		
20	947536	2	• Hexagon nut		