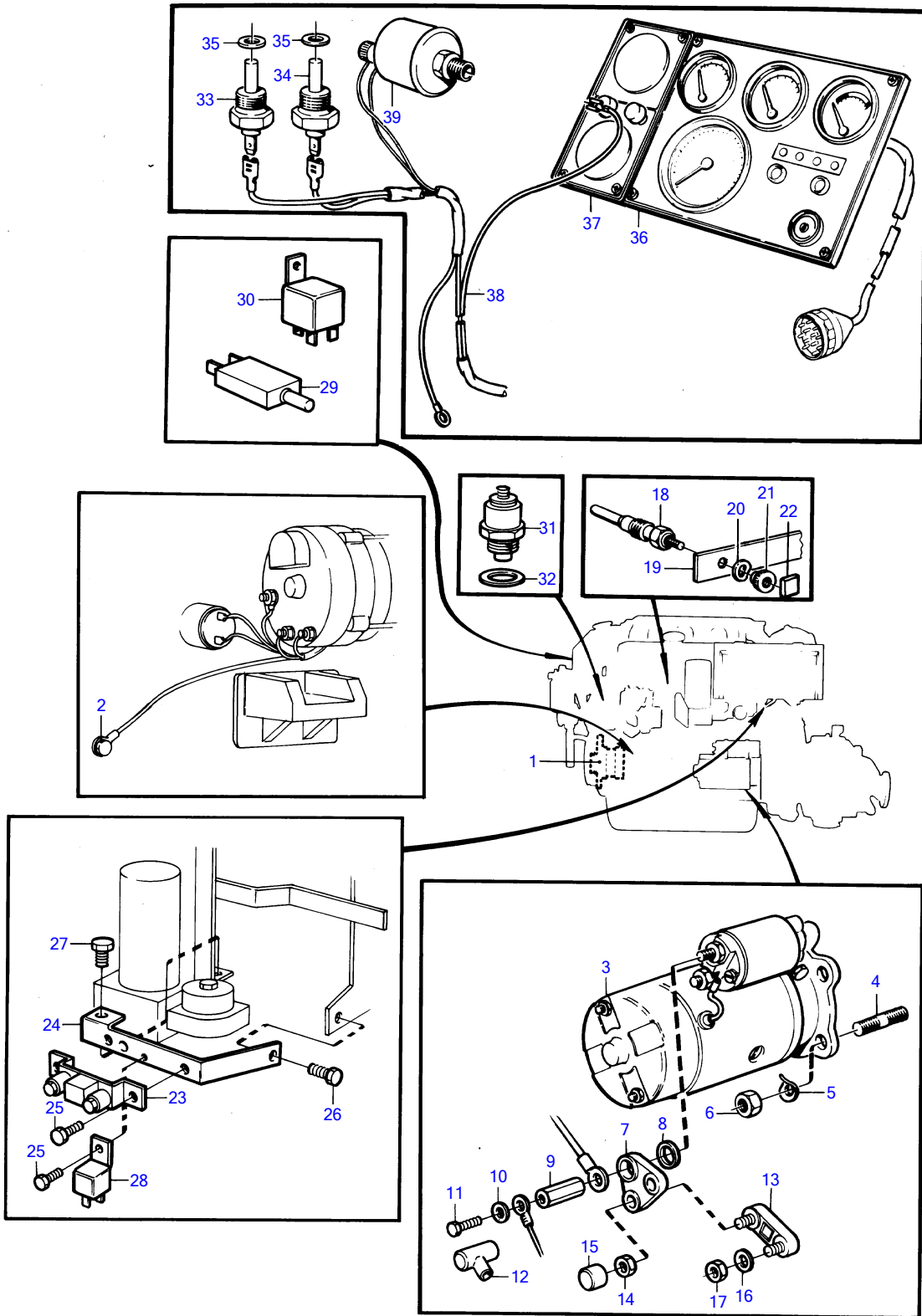


AD30A, AQAD30A, MD30A, TAMD30A, TMD30A



7891

AD30A, AQAD30A, MD30A, TAMD30A, TMD30A

REF	PART NO.	QTY	DESCRIPTION	SEE SEC.	NOTES
1		1	ALTERNATOR	18231	
2	955293	1	Hexagon screw		
3	838987	1	Starter motor		
			• COMPONENTS		SEE GROUP 3
4	953067	3	Stud		
5	941908	3	Spring washer		
6	955783	3	Hexagon nut		
7	852986	1	Current bar		AQ
8	829714	1	Sealing ring		AQ
9	855314	1	Nut		AQ
10	941907	1	Spring washer		AQ
11	940199	1	Hexagon screw		AQ
12	855798	1	Protecting sleeve		AQ
13	853502	1	Fuse		AQ
14	853573	1	Nut		AQ
15	853572	1	Protective cap		AQ
16	941906	1	Spring washer		AQ
17	955781	1	Hexagon nut		AQ
18	838954	6	Glow plug		
19	1542296	1	Rail		OBSOLETE PART
20	941905	6	Spring washer		
21	955780	6	Hexagon nut		
22	1542408	6	Protecting casing		
23	838953	1	Series resistance		OBSOLETE PART
24	858078	1	Bracket		OBSOLETE PART
25	955268	3	Hexagon screw		
26	955318	1	Hexagon screw		
27	955296	1	Hexagon screw		
28	838955	1	Relay		
29	966689	1	Fuse		
30	838955	2	Relay		
31	858058	1	Stop solenoid		
32	243572	1	O-ring		
33	843325	1	Temperature sensor		
34	822858	1	Thermo monitor		
35	957181	2	Gasket		
36	858036	1	Instrument panel		SEE GROUP 3, OBSOLETE PART
37	843604	X	Instrument panel	18287	OBSOLETE PART
38	858057	1	Cable trunk		OBSOLETE PART
39		1	OIL PRESSURE SENDER		SEE GROUP 3