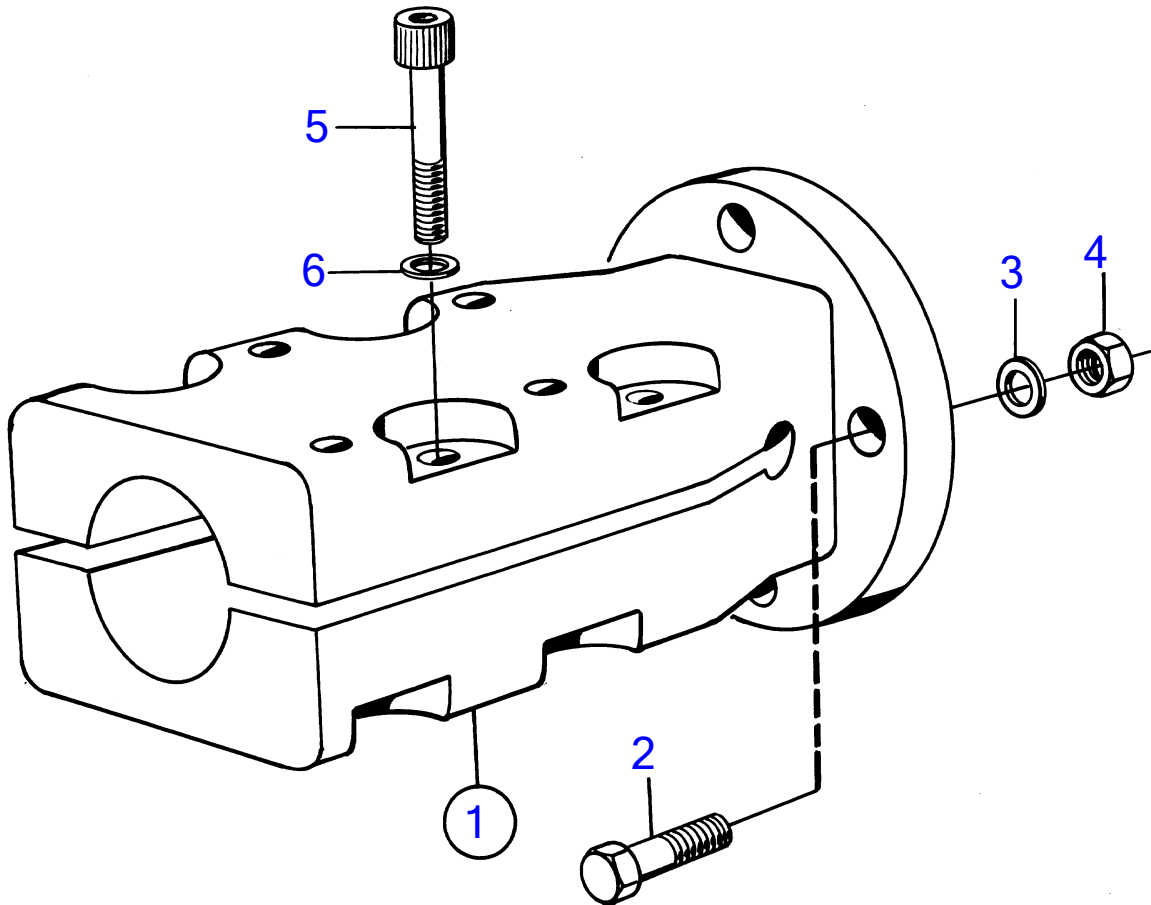


AD30A, AQAD30A, MD30A, TAMD30A, TMD30A



4623

AD30A, AQAD30A, MD30A, TAMD30A, TMD30A

REF	PART NO.	QTY	DESCRIPTION	NOTES
1	828145	1	Clamp coupling	40MM HOLE FOR PROPELLER SHAFT., FOR REVERSE GEAR BORG WARNER AND MS3.
2	955693	4	• Hexagon screw	L = 38 MM
	955691	4	• Hexagon screw	L = 25 MM
3	941909	4	• Spring washer	
4	950375	4	• Lock nut	
5	948670	8	• Hex. socket screw	
6	947345	8	• Washer	