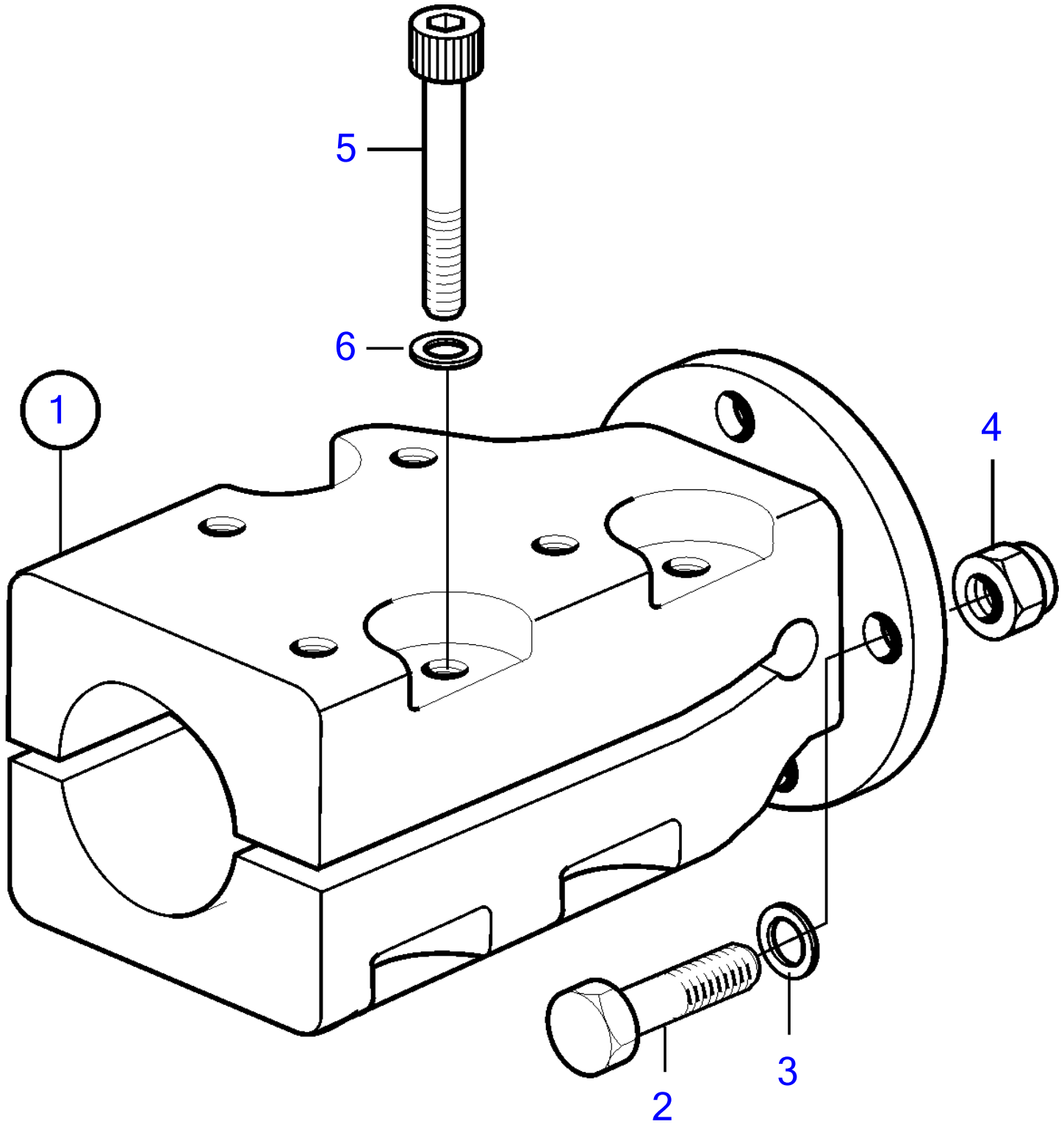


AD30A, AQAD30A, MD30A, TAM30A, TMD30A



8309

AD30A, AQAD30A, MD30A, TAMD30A, TMD30A

REF	PART NO.	QTY	DESCRIPTION	NOTES
1	828606	1	Clamp flange	35MM HOLE FOR PROPELLER SHAFT., FOR REVERSE GEAR MS2.
2	965185	4	Flange screw	
3	976945	4	Washer	
4	971089	4	Lock nut	
5	966789	6	Hex. socket screw	
6	947345	6	Washer	