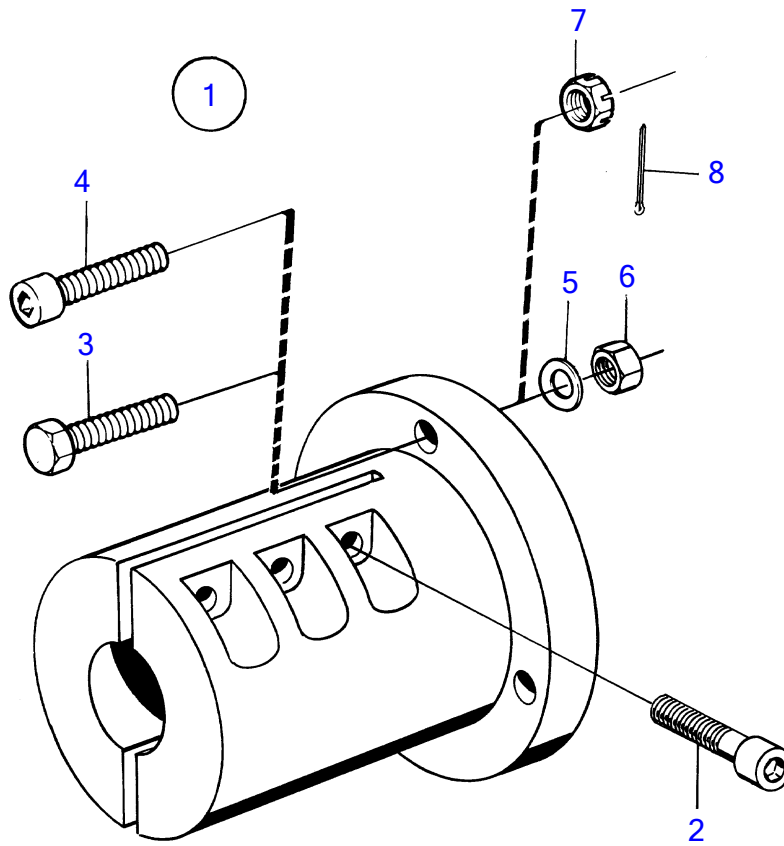


AD30A, AQAD30A, MD30A, TAM30A, TMD30A



3730

AD30A, AQAD30A, MD30A, TAM30A, TMD30A

REF	PART NO.	QTY	DESCRIPTION	NOTES
1	827927	1	Clamp coupling	35MM HOLE FOR PROPELLER SHAFT., FOR REVERSE GEAR MS2.
2	949068	6	Hex. socket screw	
3	955319	4	Hexagon screw	
4	959239	4	Hex. socket screw	
5	941908	4	Spring washer	
6	955783	4	Hexagon nut	