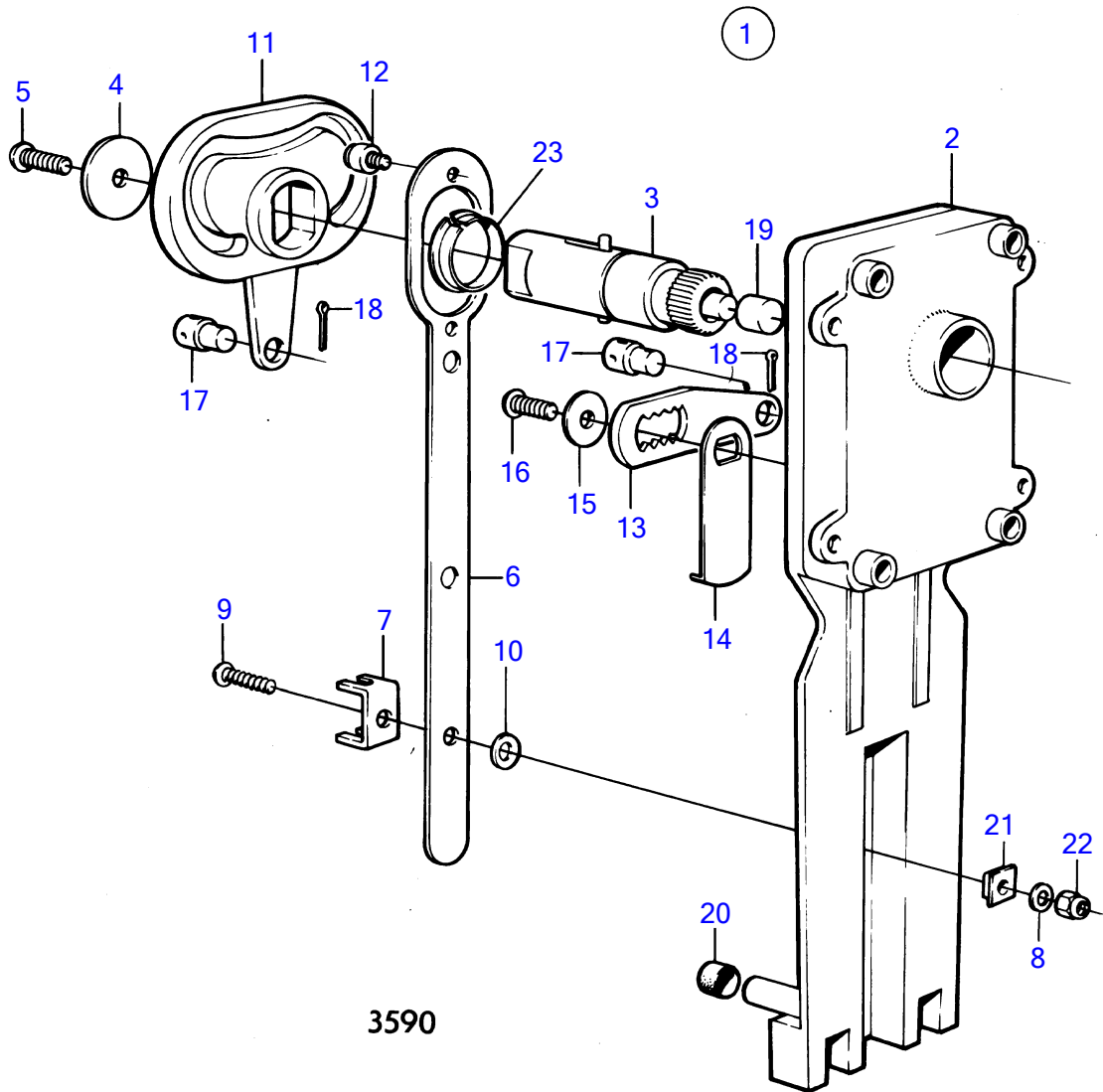


AD30A, AQAD30A, MD30A, TAMD30A, TMD30A



AD30A, AQAD30A, MD30A, TAMD30A, TMD30A

REF	PART NO.	QTY	DESCRIPTION	NOTES
1	839469	1	Control	TOP-MOUNTED REPLACED BY 851600., SIDE-MOUNTED REPLACED BY 851601.
2		1	• HOUSING	
3		1	• SHAFT	
4	839635	1	• Washer	OBSOLETE PART
5	839637	1	• Screw	OBSOLETE PART
6	839668	1	• Link arm	OBSOLETE PART
7	839700	1	• Retainer	
8	839667	1	• Washer	OBSOLETE PART
9	839664	1	• Screw	
10		1	•	
11	839636	1	• Eccentric	OBSOLETE PART
12	851713	1	• Spare parts kit	(839699), OBSOLETE PART
13	839633	1	• Engagement lever	OBSOLETE PART
14	839639	1	• Breaker arm	OBSOLETE PART
15	839635	1	• Washer	OBSOLETE PART
16	839637	1	• Screw	OBSOLETE PART
17	839638	2	• Cube	
18	17253	2	• Split pin	
19	839632	1	• Button	
20	839640	1	• Vibration damper	
21	839666	1	• Washer	
22	963104	1	• Lock nut	
23	839701	1	• Bushing	OBSOLETE PART