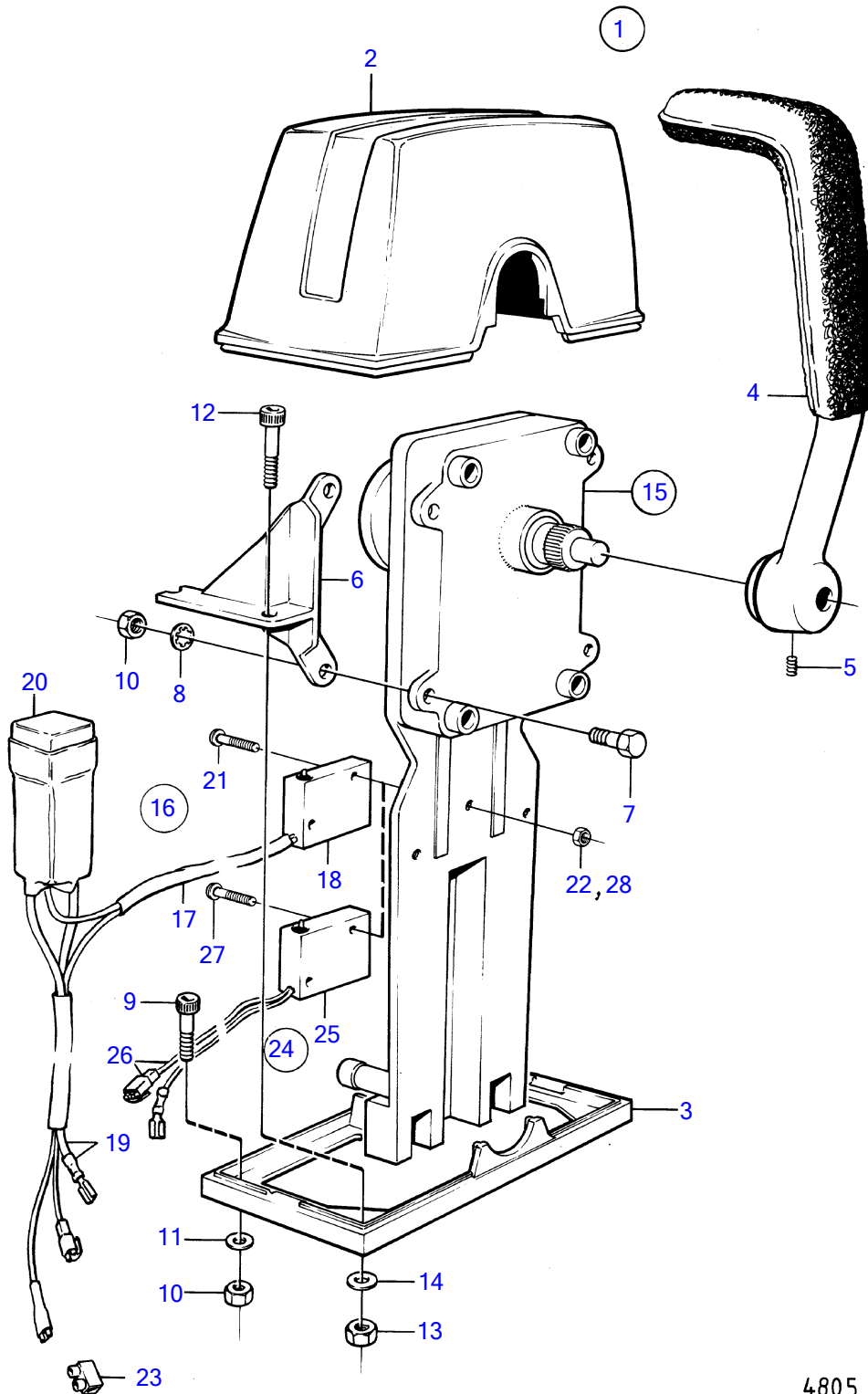


AD30A, AQAD30A, MD30A, TAMD30A, TMD30A



4805

AD30A, AQAD30A, MD30A, TAMD30A, TMD30A

REF	PART NO.	QTY	DESCRIPTION	NOTES
1	839471	1	Mounting kit	REPL BY 851603
2	839477	1	• Cover	
3	839479	1	• Plate	
4	839475	2	• Hand lever	
5	946786	2	• Lock screw	M5, OBSOLETE PART
	839693	2	• Lock screw	M8
6	839480	2	• Bracket	MARKED 839480, OBSOLETE PART
	839481	2	• Bracket	MARKED 839481
7	955244	8	• Hexagon screw	
8	955946	8	• Toothed washer	OBSOLETE PART
9	947671	2	• Hex. socket screw	
10	955780	10	• Hexagon nut	
11	960138	2	• Washer	
12	947672	4	• Hex. socket screw	
13	955781	4	• Hexagon nut	
14	960139	4	• Washer	
15	839469	2	Control	TOP-MOUNTED REPLACED BY 851600., SIDE-MOUNTED REPLACED BY 851601.
16	839641	2	Neutral position con	MAIN STATION.
17	839619	2	• Cable kit	OBSOLETE PART
18	850200	2	• • Toggle switch	
19		X	• • CABLES AND TERMINALS	SEE GROUP 3
20	876037	2	• Relay kit	(839367)
21	946177	4	• Cross recessed screw	
22	947536	4	• Hexagon nut	
23		2	• Coupling piece	
24	828414	2	Neutral position con	MAIN STATION.
	828378	2	Switch	SECOND STATION.
25	850200	2	• Toggle switch	
26		X	• • CABLES AND TERMINALS	SEE GROUP 3
27	946177	4	• Cross recessed screw	
28	947536	4	• Hexagon nut	

7744050-90-18276B

4805

Upd:2010-07-01

AD30A, AQAD30A, MD30A, TAMD30A, TMD30A, AD30, AQAD30, MD30, TAMD30, TMD30

**VOLVO**  
**PENTA**