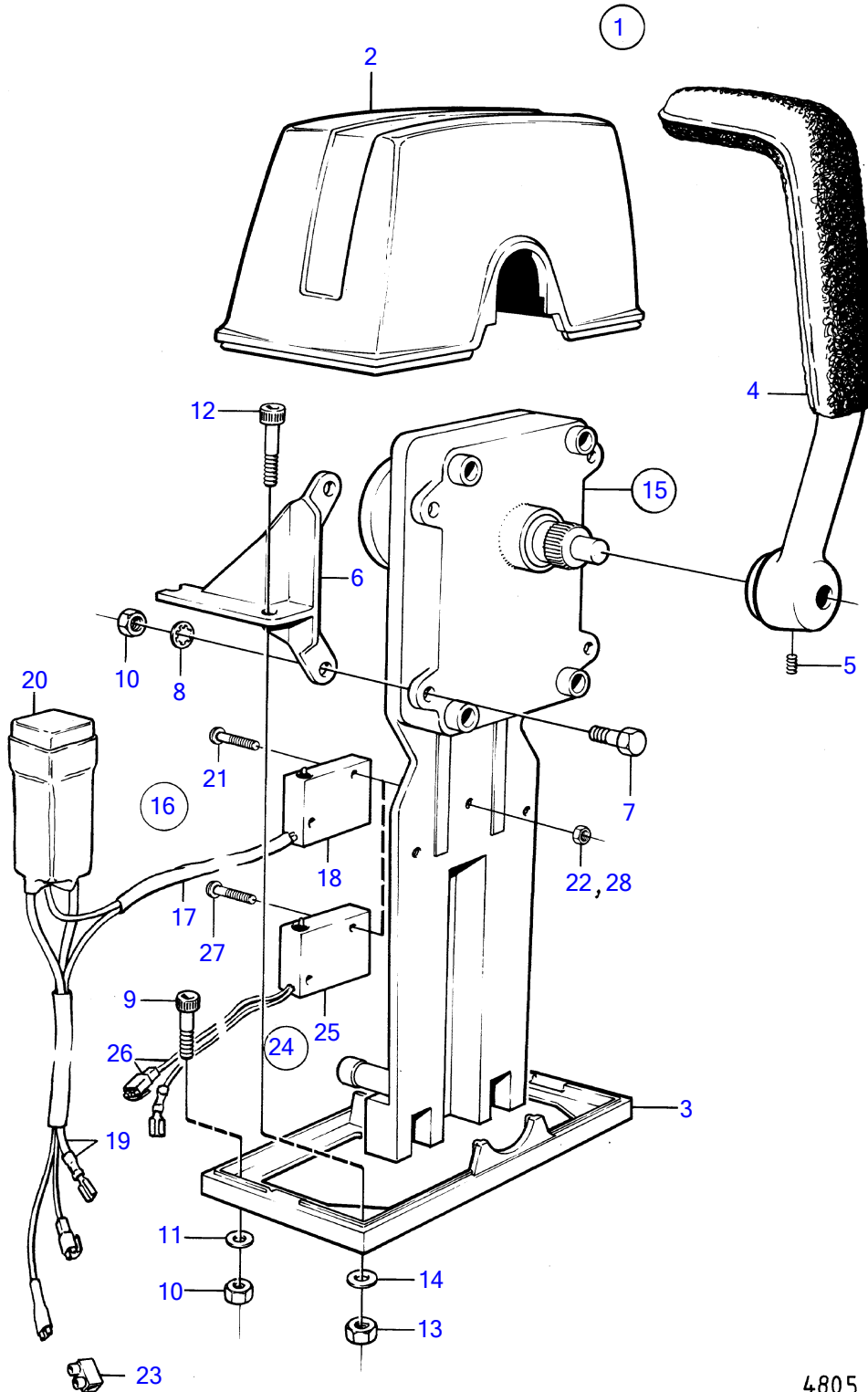


AD30A, AQAD30A, MD30A, TAMD30A, TMD30A



4805

AD30A, AQAD30A, MD30A, TAMD30A, TMD30A

REF	PART NO.	QTY	DESCRIPTION	SEE SEC.	NOTES
1	839470	1	Mounting kit		
2	839472	1	• Cover		
3	839474	1	• Plate		
4	839475	1	• Hand lever		
5	946786	1	• Lock screw		M5, OBSOLETE PART
	839693	1	• Lock screw		M8
6	839480	1	• Bracket		MARKED 839480, OBSOLETE PART
	839481	1	• Bracket		MARKED 839481
7	955244	4	• Hexagon screw		
8	955946	4	• Toothed washer		OBSOLETE PART
9	947671	2	• Hex. socket screw		
10	955780	6	• Hexagon nut		
11	960138	2	• Washer		
12	947672	2	• Hex. socket screw		
13	955781	2	• Hexagon nut		
14	960139	2	• Washer		
15	839469	1	Control		TOP-MOUNTED REPLACED BY 851600., SIDE-MOUNTED REPLACED BY 851601.
			•	18279	
16	839641	1	Neutral position con		MAIN STATION.
17	839619	1	• Cable kit		OBSOLETE PART
18	850200	1	• • Toggle switch		
19		X	• • CABLES AND TERMINALS		SEE GROUP 3
20	876037	1	• Relay kit		(839367)
21	946177	2	• Cross recessed screw		
22	947536	2	• Hexagon nut		
23		1	• Coupling piece		
24	828414	1	Neutral position con		MAIN STATION.
	828378	1	Switch		SECOND STATION.
25	850200	1	• Toggle switch		
26		X	• • CABLES AND TERMINALS		SEE GROUP 3
27	946177	2	• Cross recessed screw		
28	947536	2	• Hexagon nut		

7744050-90-18276

4805

Upd:2010-07-01

AD30A, AQAD30A, MD30A, TAMD30A, TMD30A, AD30, AQAD30, MD30, TAMD30, TMD30