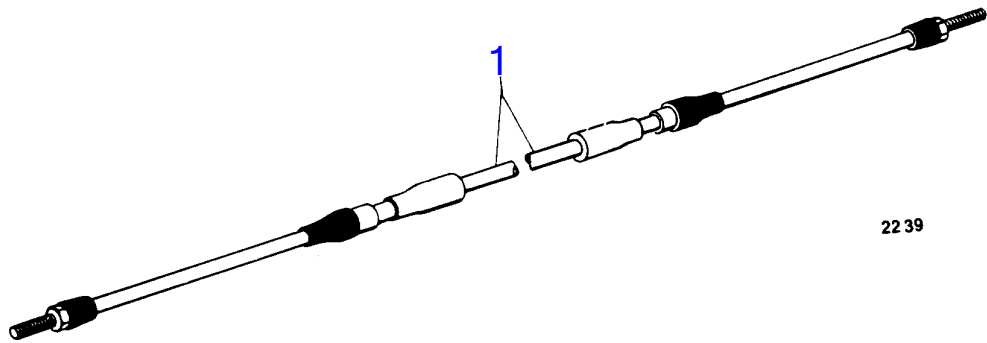
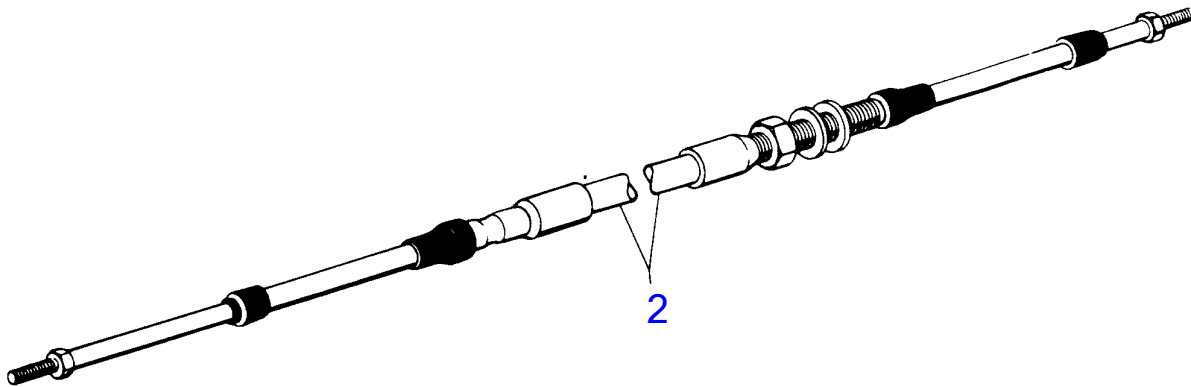


AD30A, AQAD30A, MD30A, TAMD30A, TMD30A



2239

## AD30A, AQAD30A, MD30A, TAMD30A, TMD30A

REF	PART NO.	QTY	DESCRIPTION	NOTES
1			CONTROL CABLE FOR MANEUVERING THE AQUAMATIC DRIVE UNIT, THE HYDRAULICALLY OPERATED REVERSE GEAR AND ALSO FOR THE	
	820254	X	Control cable	L = 1800 MM, OBSOLETE PART
	820255	X	Control cable	L = 2100 MM, OBSOLETE PART
	820257	X	Control cable	L = 2700 mm, OBSOLETE PART
	820258	X	Control cable	L = 3000 MM, OBSOLETE PART
	820259	X	Control cable	L = 3300 MM, OBSOLETE PART
	804457	X	Control cable	L = 3600 MM, OBSOLETE PART
	804458	X	Control cable	L = 3900 MM, OBSOLETE PART
	804419	X	Control cable	L = 4200 MM, OBSOLETE PART
	809997	X	Control cable	L = 4500 MM, OBSOLETE PART
	804315	X	Control cable	L = 4800 MM, OBSOLETE PART
	804364	X	Control cable	L = 5100 MM, OBSOLETE PART
	804361	X	Control cable	L = 5500 MM
	809998	X	Control cable	L = 5900 MM, OBSOLETE PART
	813913	X	Control cable	L = 6100 MM, OBSOLETE PART
	804440	X	Control cable	L = 6400 MM
	820260	X	Control cable	L = 6700 MM, OBSOLETE PART
	809999	X	Control cable	L = 7000 MM, OBSOLETE PART
	820261	X	Control cable	L = 7300 MM, OBSOLETE PART
	804316	X	Control cable	L = 7500 MM, OBSOLETE PART
	813907	X	Control cable	L = 7900 MM
	813908	X	Control cable	L = 8500 MM, OBSOLETE PART
	814022	X	Control cable	L = 8800 MM, OBSOLETE PART
	814023	X	Control cable	L = 9500 MM, OBSOLETE PART
	827719	X	Control cable	L = 11300 MM, OBSOLETE PART
	827720	X	Control cable	L = 11600 MM, OBSOLETE PART
	827721	X	Control cable	L = 11900 MM
	827722	X	Control cable	L = 12200 MM, OBSOLETE PART
	827723	X	Control cable	L = 12500 MM, OBSOLETE PART
	828050	X	Control cable	L = 13100 MM, OBSOLETE PART
2			CONTROL CABLE FOR MANEUVERING VOLVO PENTA REDUCTION REVERSE GEAR.	
	820301	X	Control cable	L = 2100 MM, OBSOLETE PART
	820303	X	Control cable	L = 2700 mm, OBSOLETE PART

AD30A, AQAD30A, MD30A, TAMD30A, TMD30A

REF	PART NO.	QTY	DESCRIPTION	NOTES
	820305	X	Control cable	L = 3300 MM, OBSOLETE PART
	819786	X	Control cable	L = 3900 MM, OBSOLETE PART
	819787	X	Control cable	L = 4500 MM, OBSOLETE PART