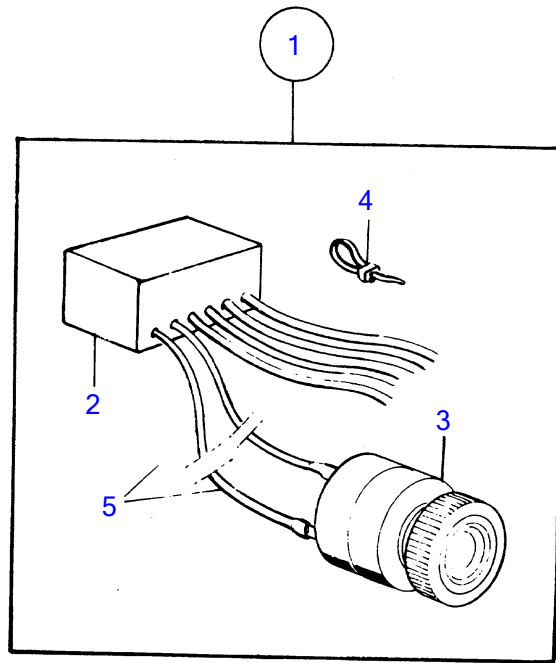


AD30A, AQAD30A, MD30A, TAMD30A, TMD30A



30 24

AD30A, AQAD30A, MD30A, TAMD30A, TMD30A

REF	PART NO.	QTY	DESCRIPTION	NOTES
1	827940	1	Alarm kit	12V
2	831625	1	• Thermo monitor	12V
3	827597	1	• Horn unit	
4	948210	2	• Cable tie	(827353)
5		X	• CABLES AND TERMINALS	SEE GROUP 3