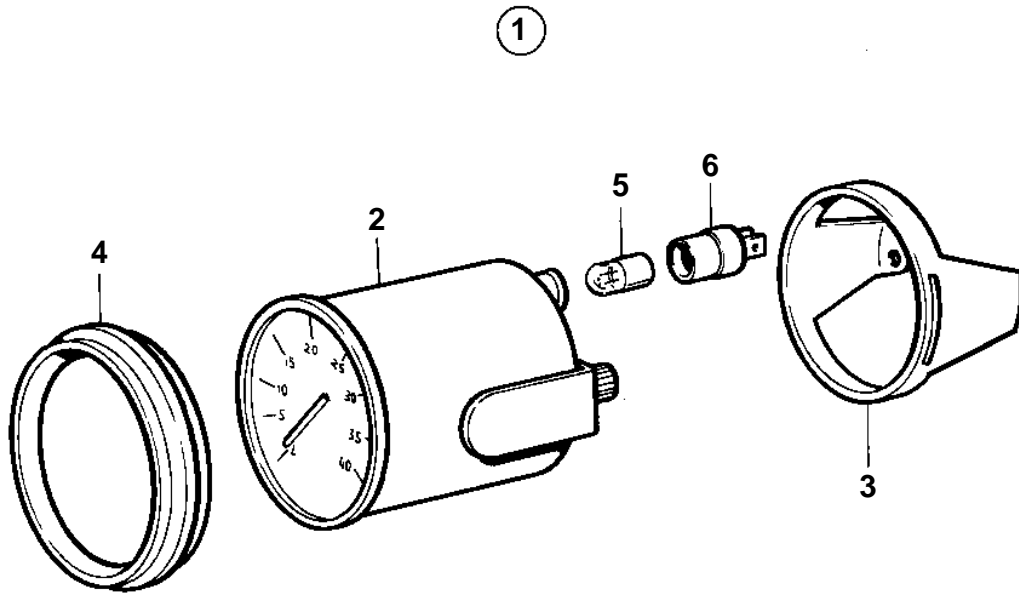


COMMON



8946

COMMON

REF	PART NO.	QTY	DESCRIPTION	NOTES
1	858888	1	Rev counter kit	REPL BY 876186
2	840886	1	· Tachometer	REPL BY 858557
3	828558	1	· · Attaching ring	
4	858644	1	· Front ring	
5	19923	1	· Bulb	
6	808175	1	· Bulb socket	