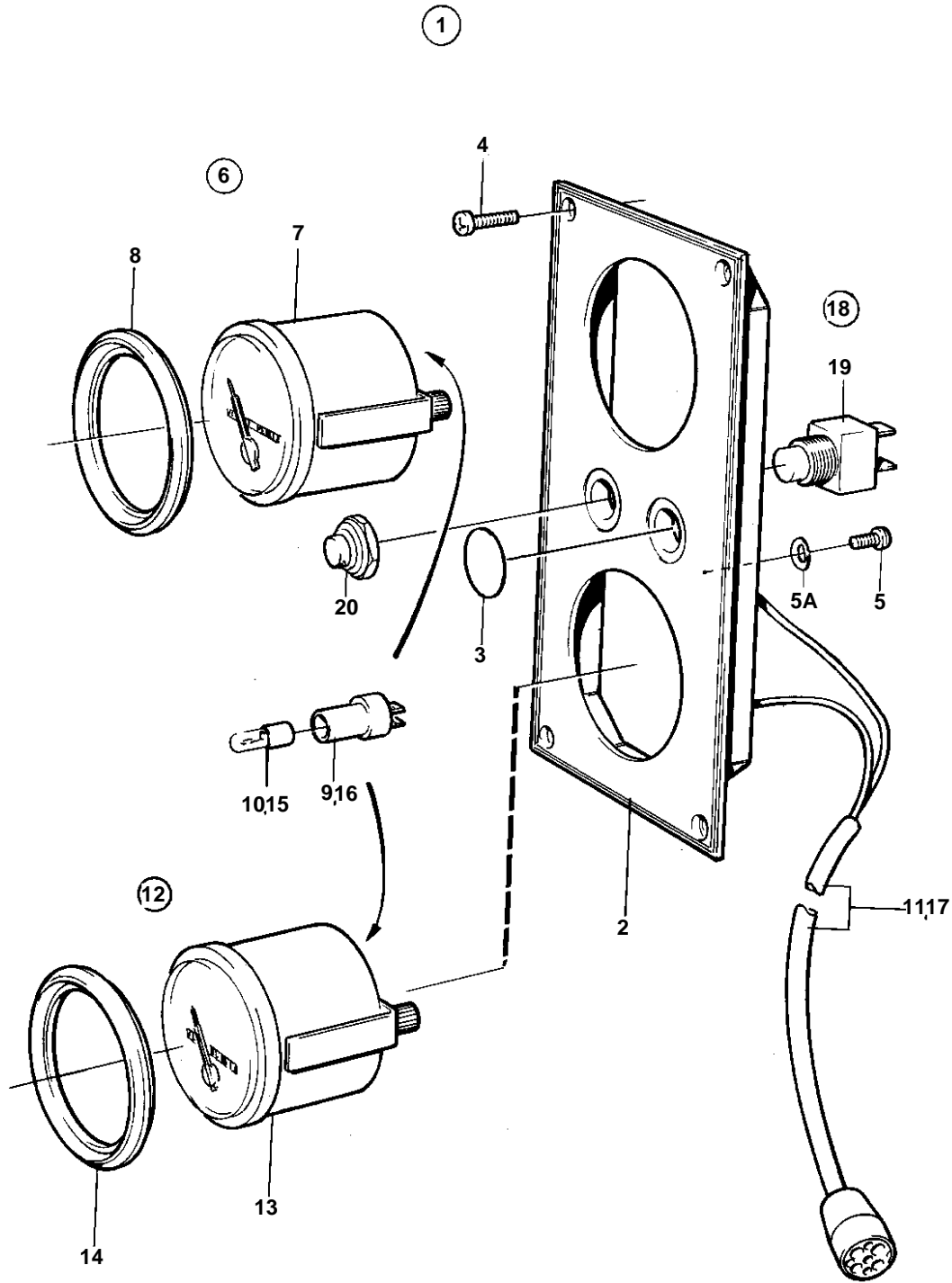


COMMON



8944

COMMON

| REF | PART NO. | QTY | DESCRIPTION | NOTES |
|-----|----------|-----|----------------------|--|
| 1 | 846786 | 1 | Instrument panel | GOLD COLOURED DECOR STRIPE. |
| | 858874 | 1 | Instrument panel | WHITE COLOURED DECOR STRIPE. |
| 2 | 858650 | 1 | · Instrument panel | |
| 3 | 828607 | 2 | · Cover plate | |
| 4 | 828647 | 4 | · Screw | |
| 5 | 949947 | 1 | · Screw | |
| 5A | 941904 | 1 | · Spring washer | |
| 6 | 1140464 | 1 | Hour counter kit | (858877) |
| 7 | 828615 | 1 | · Hour counter | |
| 8 | 858643 | 1 | · Front ring | |
| 9 | 808175 | 1 | · Bulb socket | |
| 10 | 19923 | 1 | · Bulb | 12V |
| | 182059 | 1 | · Bulb | 24V |
| 11 | | X | CABLES AND TERMINALS | SEE GROUP 3 |
| 12 | 858878 | 1 | Voltmeter kit | (828713). WHITE COLOURED DECOR STRIPE. |
| 13 | 828628 | 1 | · Voltmeter | |
| 14 | 858643 | 1 | · Front ring | |
| 15 | 19923 | 1 | · Bulb | 12V |
| 16 | 808175 | 1 | · Bulb socket | |
| 17 | | X | CABLES AND TERMINALS | SEE GROUP 3 |
| 18 | 828718 | 1 | Switch | CLOSING DURING PRESSURE AND SPRING-LOADED. |
| | 828719 | 1 | Switch | CLOSING-BREAKING. |
| 19 | 828584 | 1 | · Switch | FOR 828718 |
| | 828585 | 1 | · Switch | FOR 828719 |
| 20 | 828586 | 1 | · Button | |