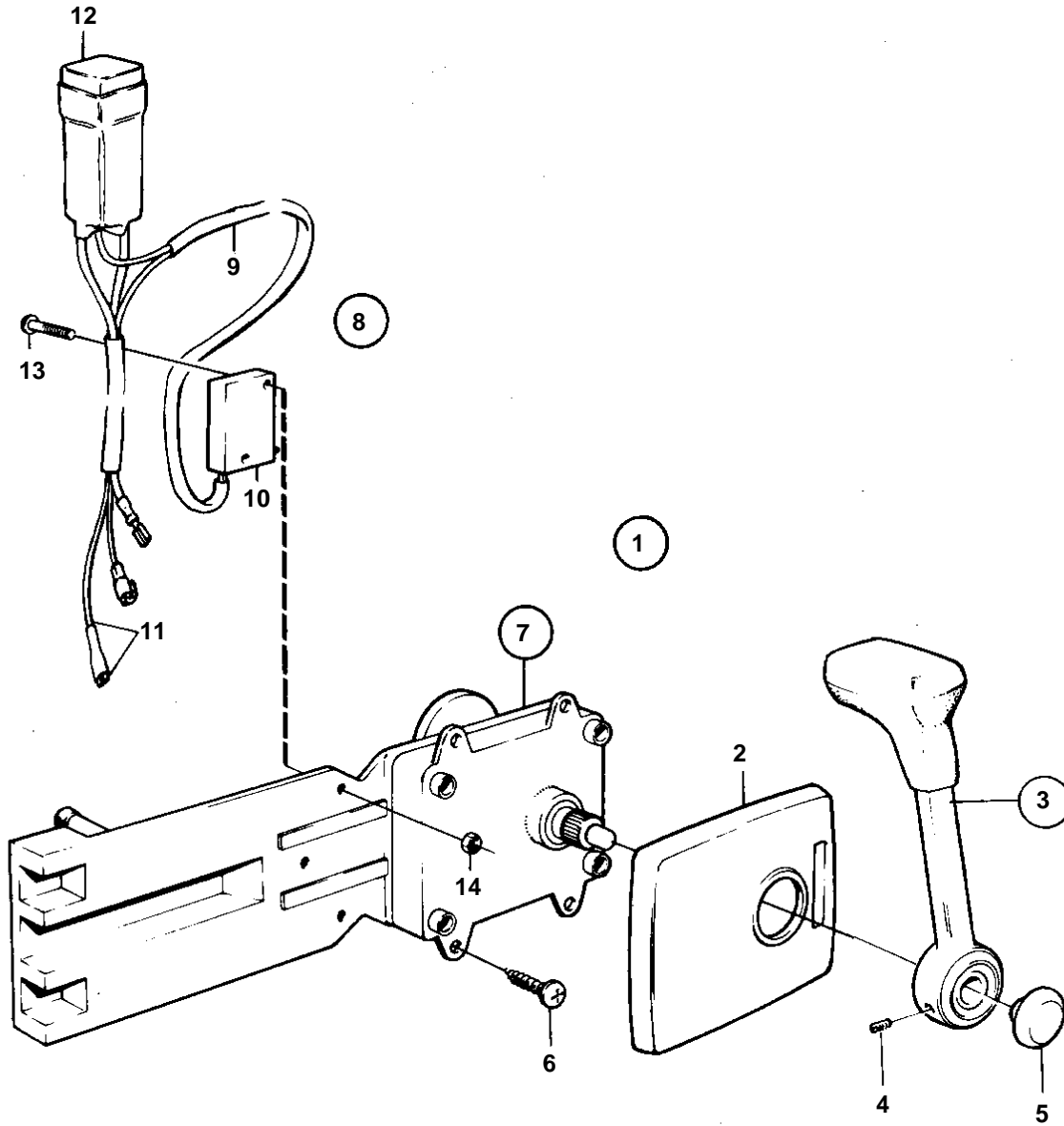


COMMON



7999

**COMMON**

REF	PART NO.	QTY	DESCRIPTION	SEE SEC.	NOTES
1	853102	1	Mounting kit		
2	1140048	1	· Cover	IK	(839518)
3	852347	1	· Lever	IK	
					090-1135
4	963678	1	· · Screw		
5	853004	1	· Push button	IK	
6	955142	4	· Screw	IK	
7	851601	1	Control		
					090-1100
8	855352	1	Neutral posit contac		(839641)
9	839619		Cable kit		
10	850200		Switch		
11		X	· · CABLES AND TERMINALS		SEE GROUP 3
12	876037	1	· Relay kit		
13	946177	2	· Screw		
14	947536	2	Nut		