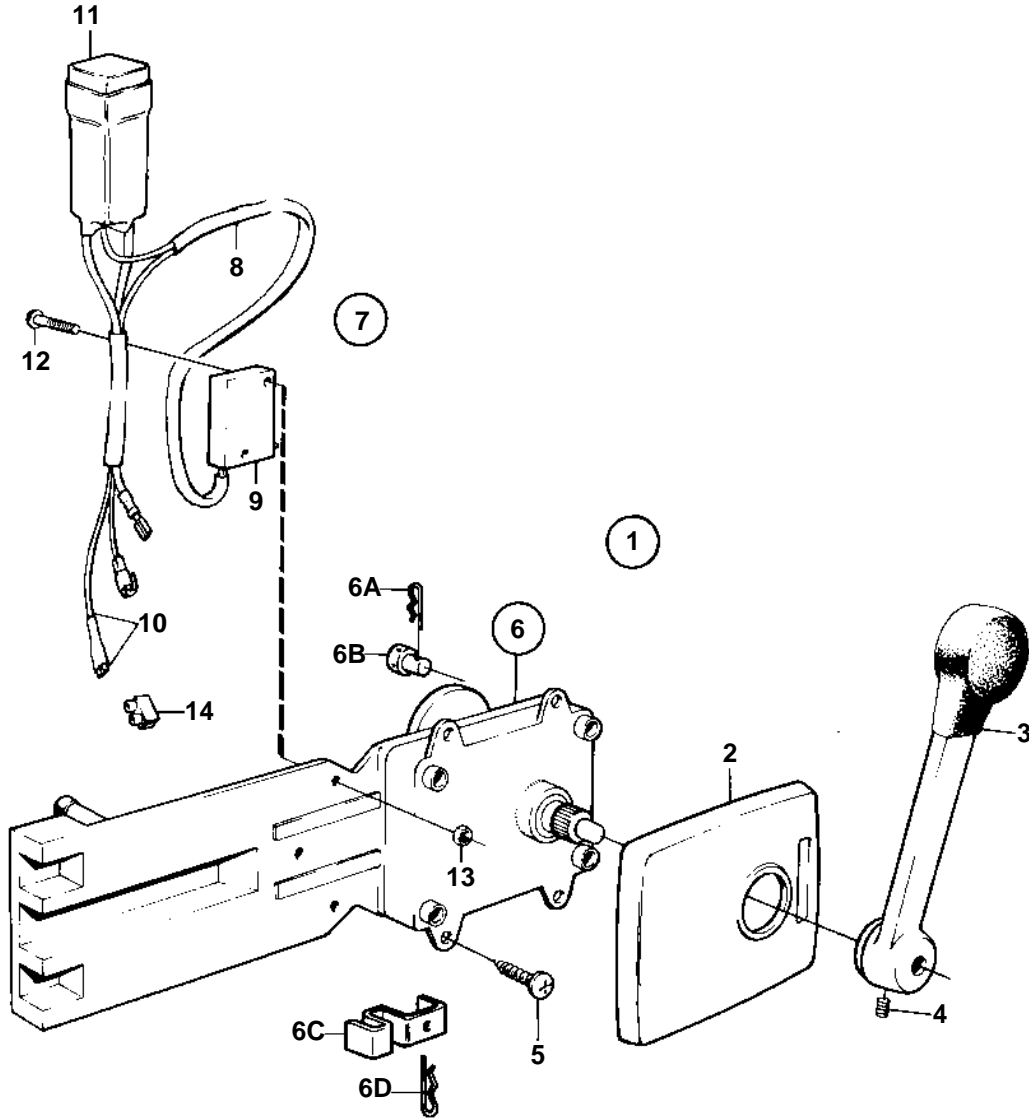


COMMON



8686

COMMON

| REF | PART NO. | QTY | DESCRIPTION | NOTES |
|-----|----------|-----|--------------------------|-------------|
| 1 | 851604 | 1 | Mounting kit | |
| 2 | 1140048 | 1 | · Cover | IK (839518) |
| 3 | 839520 | 1 | · Lever | IK |
| 4 | 839693 | 1 | · Lock screw | IK |
| 5 | 955142 | 4 | · Screw | IK |
| 6 | 851601 | 1 | Control | LATE TYPE |
| 6A | 17253 | 2 | · Cotter pin | |
| 6B | 839638 | 2 | · Cube | |
| 6C | 853423 | 1 | · Retainer | |
| 6D | 852924 | 1 | · Clip | |
| 7 | 839641 | 1 | Neutral posit contac | |
| 8 | 839619 | 1 | · Cable kit | |
| 9 | 850200 | 1 | · · Switch | |
| 10 | | X | · · CABLES AND TERMINALS | SEE GROUP 3 |
| 11 | 876037 | 1 | · Relay kit | |
| 12 | 946177 | 2 | · Screw | |
| 13 | 947536 | 2 | · Nut | |
| 14 | 182009 | 1 | · Coupling piece | |